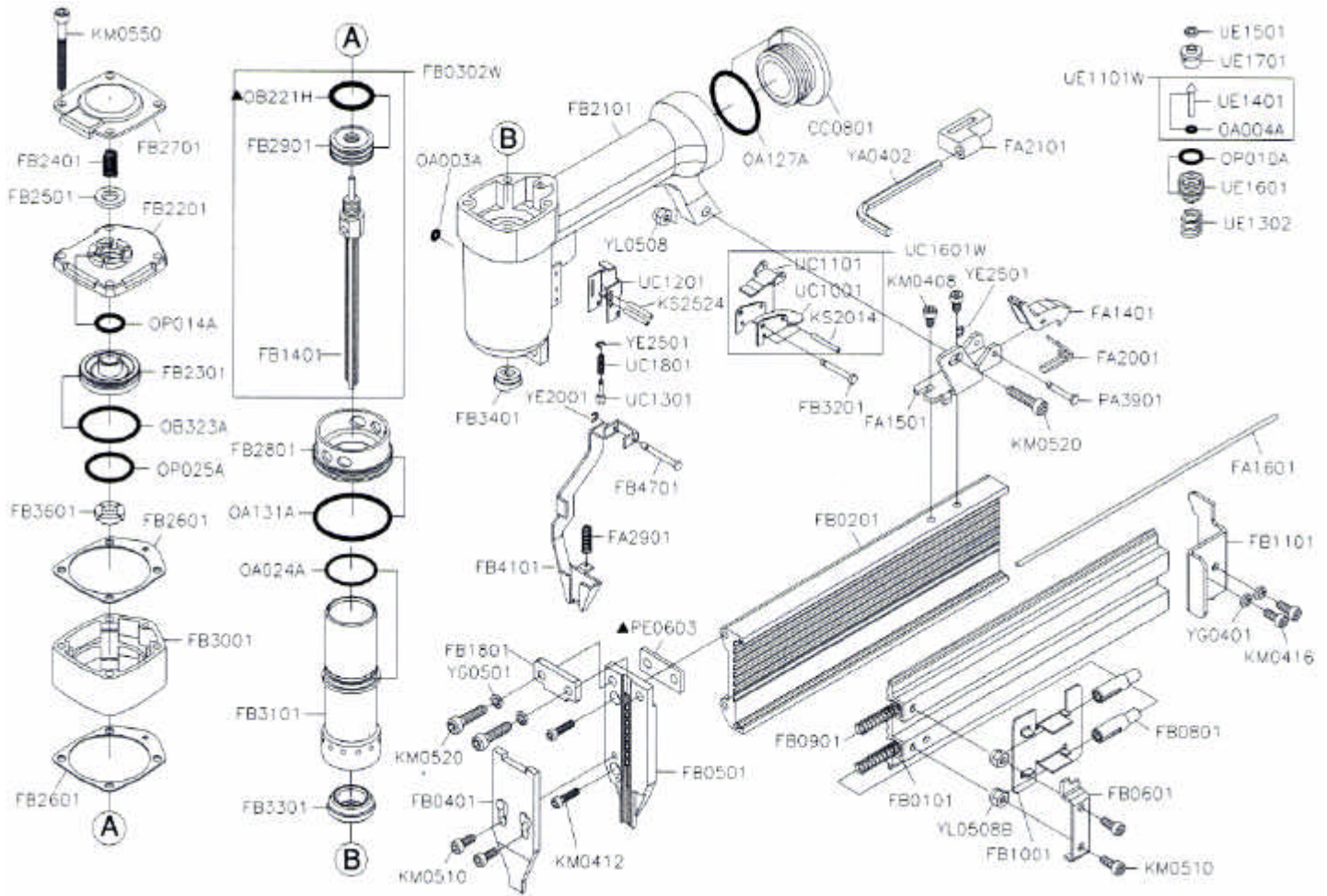


GISON Pneumatic Tools

GP-F18/50 Medium Wire Finish Nailer



PARTS LIST

✦ : Consuming Part

Item No.	Part No.	Description	Qty.	Item No.	Part No.	Description	Qty.	Item No.	Part No.	Description	Qty.
1	CC0801	End Cap	1	26	FB2701	Exhaust Cap	1	51	OB323A	O-Ring 31.8x0.4	1
2	FA1401	Latch	1	27	FB2801	Collar	1	52	OP010A	O-Ring P10	1
3	FA1501	Support	1	28	FB2901	Main Piston	1	53	OP014A	O-Ring P14	1
4	FA1601	Bar	1	29	FB3001	Cap	1	54	OP025A	O-Ring P25(1A)	1
5	FA2001	Spring	1	30	FB3101	Cylinder	1	55	PA3901	Pin	1
6	FA2101	Wrench Set	1	31	FB3201	Pin	1	56	PE0603	Spacer	1
7	FA2901	Compression Spring	1	32	FB3301	Bumper	1	57	UC1001	Trigger	1
8	FB0101	Magazine Cap	1	33	FB3401	Nozzle	1	58	UC1101	Contact Lever	1
9	FB0201	Magazine Seat	1	34	FB3601	Piston Stop	1	59	UC1201	Safety (B)	1
10	FB0302W	Driver Assy.	1	35	FB4101	Safety (A)	1	60	UC1301	Shaft	1
11	FB0401	Cover Plate (B)	1	36	FB4701	Pin	1	61	UC1601W	Trigger Assy.	1
12	FB0501	Guide Plate	1	37	KM0408	Hex.Soc.Hd.Bolt M4x0.7-8L	2	62	UC1801	Compression Spring	1
13	FB0601	Magazine Retainer	1	38	KM0412	Hex.Soc.Hd.Bolt M4x0.7-12L	2	63	UE1101W	Trigger Valve Assy.	1
14	FB0801	Pusher Pin	2	39	KM0416	Hex.Soc.Hd.Bolt M4x0.7-16L	2	64	UE1302	Compression Spring	1
15	FB0901	Pusher Spring	2	40	KM0510	Hex.Soc.Hd.Bolt M5x0.8-10L	4	65	UE1401	Trigger Valve Stem	1
16	FB1001	Pusher	1	41	KM0520	Hex.Soc.Hd.Bolt M5x0.8-20L	3	66	UE1501	Seal	1
17	FB1101	Stop Plate	1	42	KM0550	Hex.Soc.Hd.Bolt M5x0.8-50L	4	67	UE1601	Trigger Valve Guide	1
18	FB1401	Driver Set	1	43	KS2014	Spring Pin ϕ 2-14L	1	68	UE1701	Trigger Valve Seat	1
19	FB1801	Cover Plate (A)	1	44	KS2524	Spring Pin ϕ 2.5-24L	1	69	YA0402	Hex Bar Wrench D4	1
20	FB2101	Body	1	45	OA003A	O-Ring ARP568-003	1	70	YE2001	E-Ring ϕ 2.0	1
21	FB2201	Cylinder Cap	1	46	OA004A	O-Ring ARP568-004	1	71	YE2501	E-Ring ϕ 2.5	2
22	FB2301	Head Valve Piston	1	47	OA024A	O-Ring ARP568-024	1	72	YG0401	Spring Washer ϕ 4	2
23	FB2401	Compression Spring	1	48	OA127A	O-Ring ARP568-127	1	73	YG0501	Spring Washer ϕ 5	2
24	FB2501	Piston Stop	1	49	OA131A	O-Ring ARP568-131	1	74	YL0508	Lock Nut M5x0.8	1
25	FB2601	Cap Seal	2	50	OB221H	O-Ring 22x3	1	75	YL0508B	Lock Nut M5x0.8	2