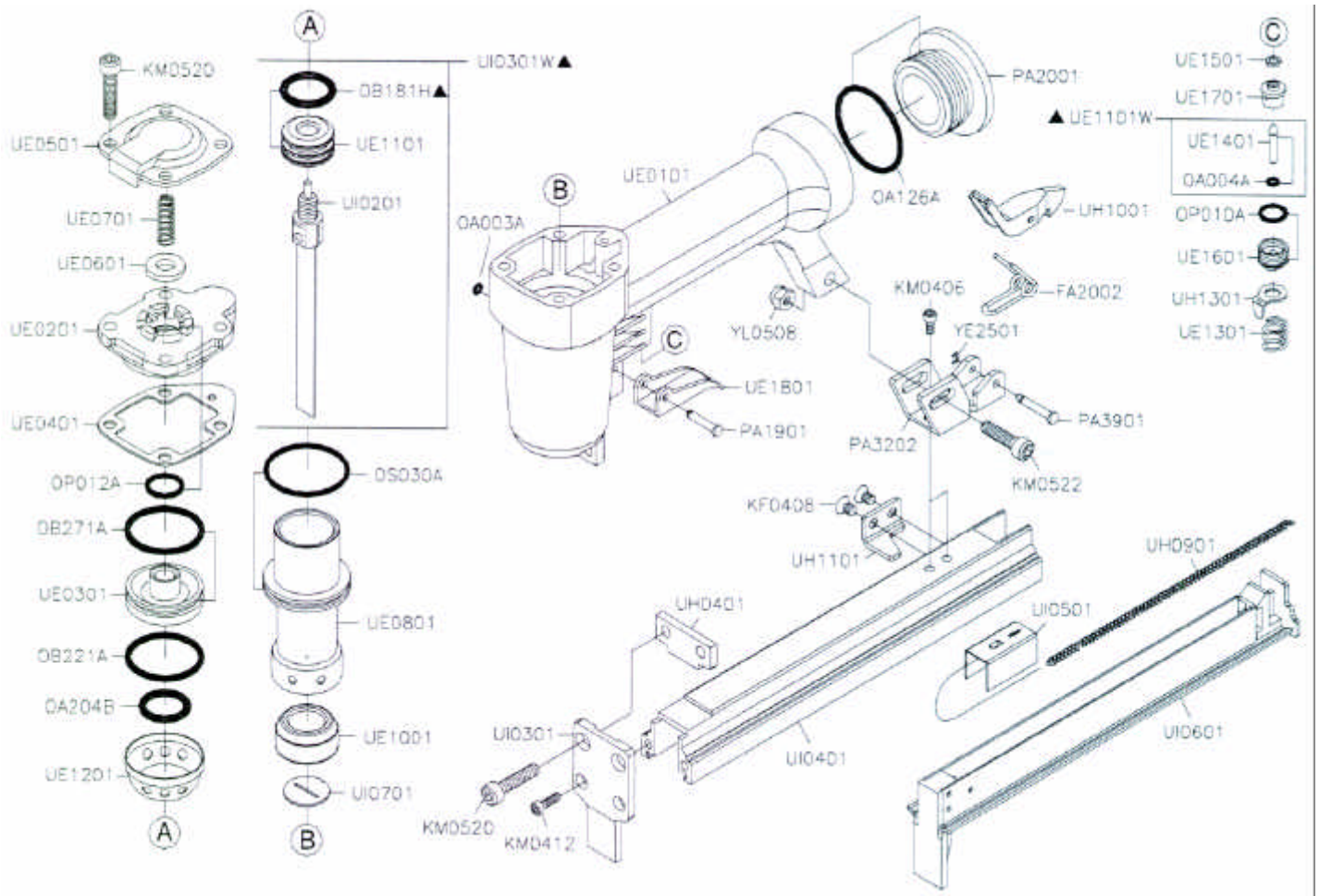




GISON Pneumatic Tools

GP-14/16 Fine Wire Air Stapler



PARTS LIST

◆ : Consuming Part

No.	Part No.	Description	Qty.	No.	Part No.	Description	Qty.
1	FA2002	Spring	1	27	UE0701	Compression Spring	1
2	KF0408	Flat Hd.Bolt (M4 x0.7-8L)	2	28	UE0801	Cylinder	1
3	KM0406	Hex.Soc.Hd.Bolt (M4 x0.7-6L)	2	29	UE1001	Bumper	1
4	KM0412	Hex.Soc.Hd.Bolt (M4 x0.7-12L)	2	30	UE1101	Main Piston	1
5	KM0520	Hex.Soc.Hd.Bolt (M5 x0.8-20L)	6	31	UE1101W	Trigger Valve Assy.	1
6	KM0522	Hex.Soc.Hd.Bolt (M5 x0.8-22L)	1	32	UE1201	Collar	1
7	OA003A	O-Ring ARP568-003	1	33	UE1301	Compression Spring	1
8	OA004A	O-Ring ARP568-004	1	34	UE1401	Trigger Valve Stem	1
9	OA126A	O-Ring ARP568-126	1	35	UE1501	Seal	1
10	OA204B	O-Ring ARP568-204	1	36	UE1601	Trigger Valve Guide	1
11	OB181H	O-Ring 17.7x3.0	1	37	UE1701	Trigger Valve Seat	1
12	OB221A	O-Ring 22x3	1	38	UE1801	Trigger	1
13	OB271A	O-Ring 26.8x2.4	1	39	UH0401	Guide Plate	1
14	OP010A	O-Ring P10	1	40	UH0901	Pull Spring	1
15	OP012A	O-Ring P12	1	41	UH1001	Latch	1
16	OS030A	O-Ring S-30	1	42	UH1101	Magazine Retainer	1
17	PA1901	Pin	1	43	UH1301	Trigger Stop	1
18	PA2001	End Cap	1	44	UI0201	Driver Set	1
19	PA3202	Support	1	45	UI0301	Cover Plate	1
20	PA3901	Pin	1	46	U10301W	Driver Assy.	1
21	UE0101	Body	1	47	UI0401	Magazine Cap	1
22	UE0201	Cylinder Cap	1	48	UI0501	Pusher	1
23	UE0301	Head Valve Piston	1	49	UI0601	Magazine Seat Set	1
24	UE0401	Cap Seal	1	50	UI0701	Nozzle	1
25	UE0501	Exhaust Cap	1	51	YE2501	E-Ring (Ø2.5)	1
26	UE0601	Piston Stop	1	52	YL0508	Lock Nut (M5 x0.8)	1