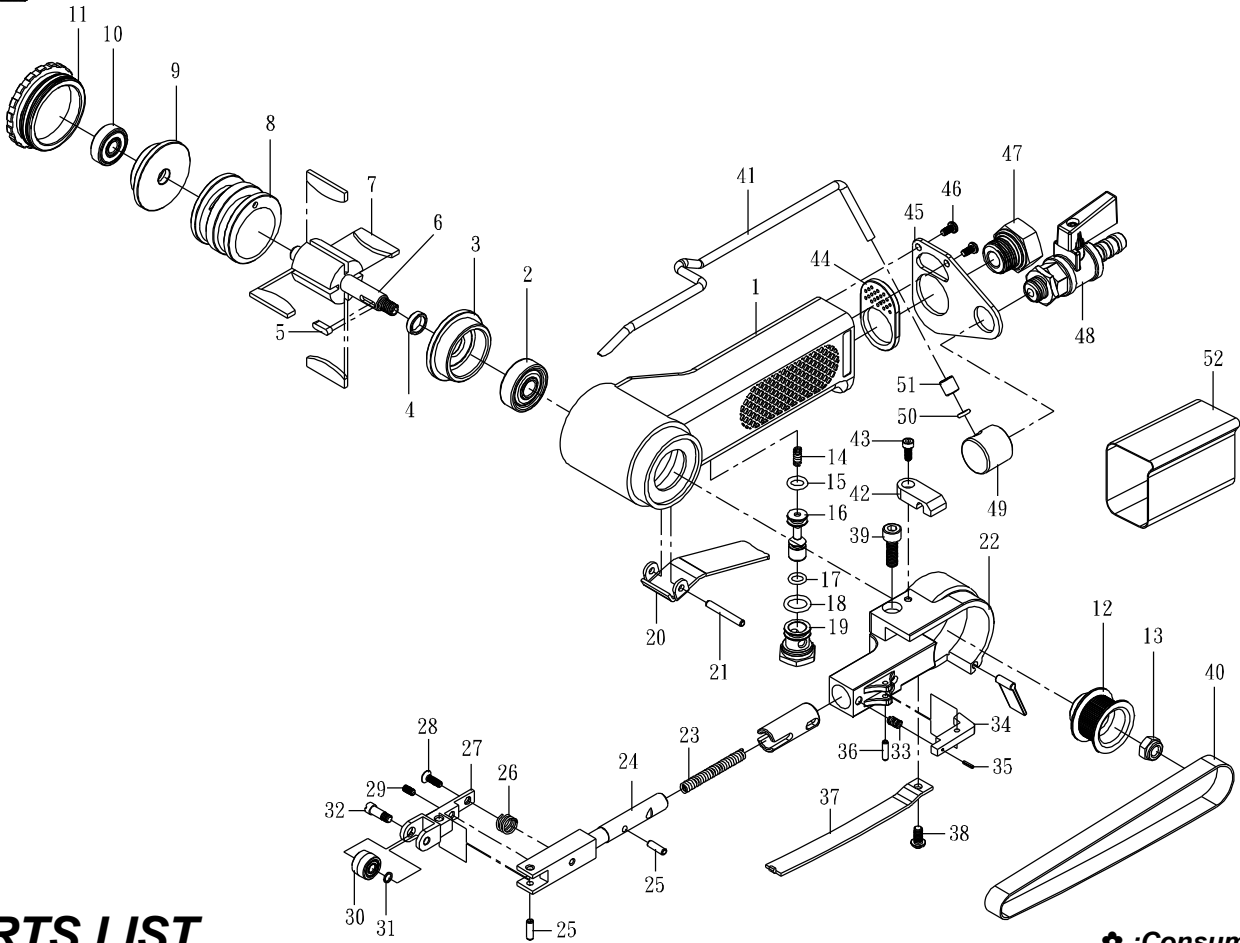




GISON Pneumatic Tools

GP-902W Wet Air Belt Sander



PARTS LIST

✳ : Consuming Part

Item No.	Part No.	Description	Qty.	Item No.	Part No.	Description	Qty.
1	902018	Housing	1	28	902008	Cross-Recessed Flat Head Machine Screw 3x8	1
✳ 2	902019	Ball Bearing 628LLU	1	29	902007	Hexagon Socket Headless Set Screw 3x6	1
3	902020	End Plate B	1	30	902002	Idle Pulley 10 sub Assy.	1 set
4	902021	Spacer 8x11x3	1	31	902003	Washer	1
5	902022	Sunk Key 3x3x10	1	32	902004	Idle Pulley shaft 10	1
6	902028	Rotor	1	33	902041	Spring	1
✳ 7	902027	Blade Assy. (4 pcs/set)	1 set	34	902040	Tension Bar	1 set
8	902026	Cylinder	1	35	902042	Lever Pin	1
9	902025	End Plate A	1 set	36	902043	Lever Pin	1
✳ 10	B607LLU	Ball Bearing 607LLU	1	37	902012	Shoe 10	1
11	902023	Cap	1	38	902013	Cross-Recessed Pan Head Machine Screw 4x8	1
12	902017	Drive Pulley	1	39	CAP005	Cap Screw 5x12	1
13	902016	Hexagon Nut M6	1	✳ 40	902001	Grinding Belt (#80,100,120)	3
14	902037	Valve Spring	1	41	902044W	Water Inlet Tube	1
15	902036	O-Ring	1	42	902047W	Fastner	1
16	902035	Valve Stem	1	43	CAP026	Screw	1
17	902034	O-Ring	1	44	902038	Deflector	1
18	902033	O-Ring	1	45	902045W	Hexagon Wrench Key 1.5	1
19	902031	Valve Body	1 set	46	MC006	Hexagon Wrench Key 1/4"x3/8"	2
20	902029	Throttle Lever	1	47	902039	Air Inlet	1
21	902030	Lever Pin	1	48	829058CW	Water Valve	1
22	902014	Guard Sub Assy. A	1 set	49	911045W	Brass Cover	1
23	902011	Spring 1.07x4.0x35.5	1	50	OR044	O-Ring	1
24	902006	Tension Bar 10	1	51	7W013-2	Brass Cover	1
25	902010	Spring Pin 3x10	2	52	829003W	Plastic Sleeve	1
26	902009	Spring 1.0x7.2x6.5	1				
✳ 27	902005	Bracket 10	1				