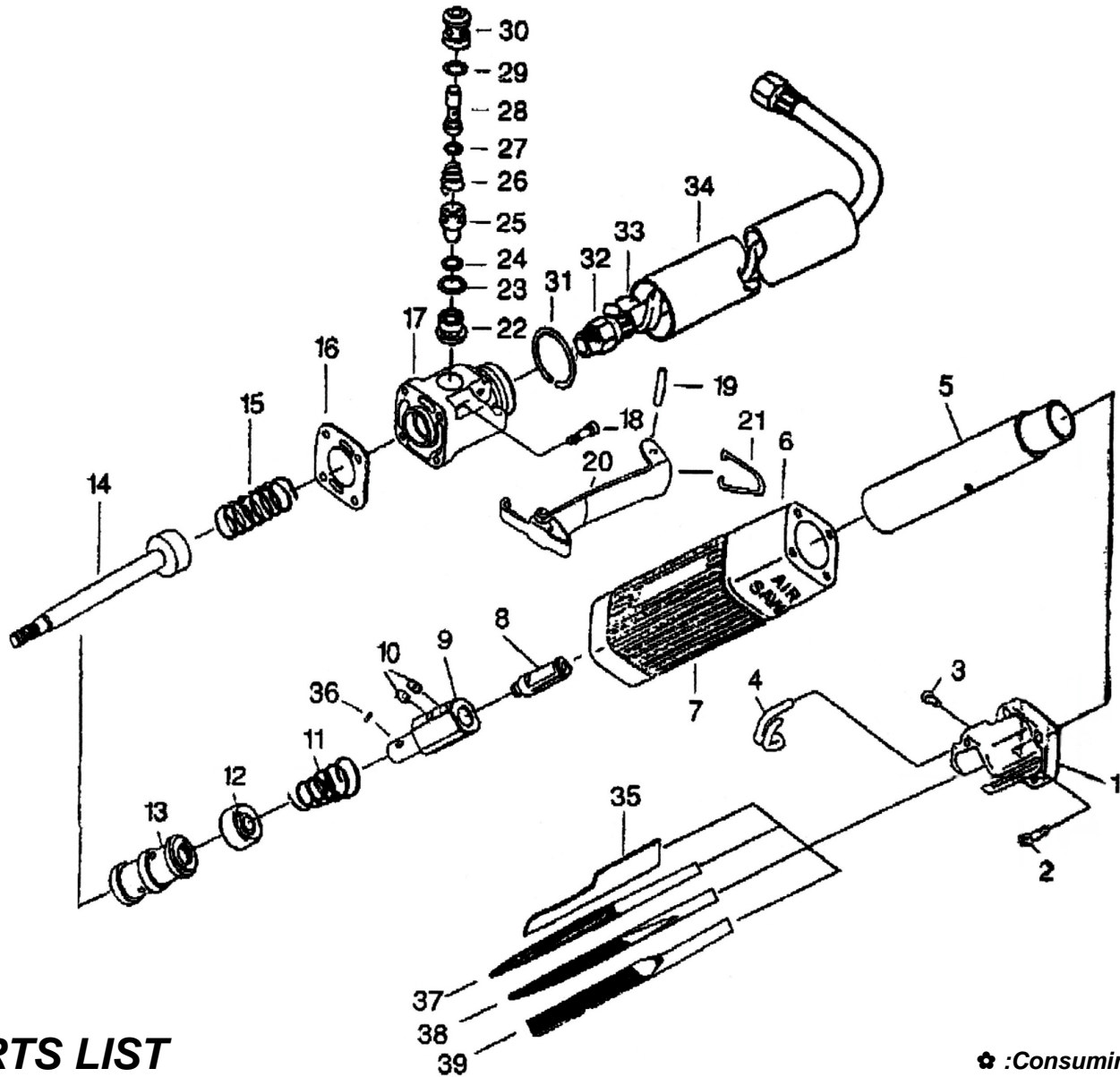




GISON Pneumatic Tools

GP-848F1 Air Body Saw & File



PARTS LIST

✳ : Consuming Part

Item No.	Part No.	Description	Qty.	Item No.	Part No.	Description	Qty.
1	848F101	Head	1	21	848F121	Hanger	1
2	848F102	Front Cap Bolt	4	22	848F122	Valve Screw	1
3	848F103	Set Bolt	1	23	848F123	O-Ring	1
4	848F104	Attachment for Saw	1	24	848F124	O-Ring	1
5	848F105	Inner Cylinder	1	25	848F125	Air Controller	1
6	848F106	Housing	1	26	848F126	Spring	1
7	848F107	Housing Cover	1	27	848F127	O-Ring	1
8	848F108	Blade Holder	1	28	848F128	Valve Stem	1
9	848F109	Holder Cap	1	29	848F129	O-Ring	1
10	848F110	Screw	2	30	848F130	Valve Bushing	1
11	848F111	Front Spring	1	31	848F131	Stop Ring	1
12	848F112	Operate Piston	1	32	848F132	Air Hose Ass'y 1/4	1
13	848F113	Work Piston	1	33	848F133	Sponge	1
14	848F114	Piston Rod	1	34	848F134	Exhaust Hose	1
15	848F115	Rear Spring	1	35	848F135	24Tx1, 32Tx1 Saw Blade	2
16	848F116	Plastic Plate	1	36	848F136	Set Screw	1
17	848F117	Regulator Valve Case	1	Option Accessories Need Extra Cost			
18	848F118	Rear Cap Bolt	4	37	848F137	Rat Tail File	1
19	848F119	Spring Pin	1	38	848F138	Triangular Taper File	1
20	848F120	Safety Lever	1	39	848F139	Flat File	1