

GPW-A04A

Mitre Clamp
3.65 kgs



GPW-A06

C Clamp
1.09 kgs



GPW-A05

Fixed Base
1.04 kgs

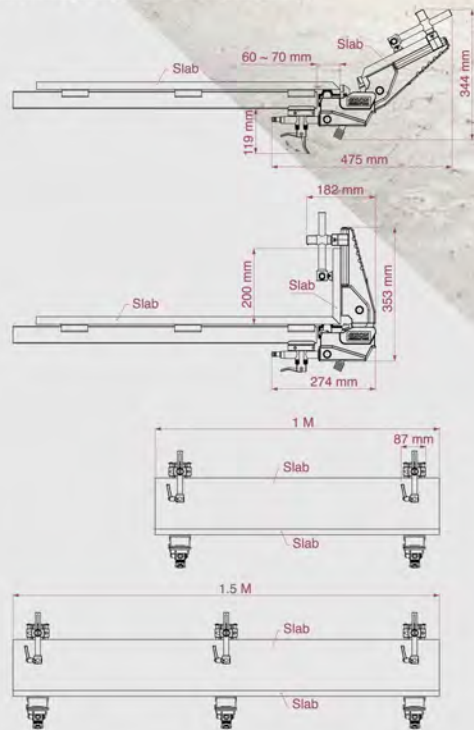


A04AC75CS

Plastic Cap

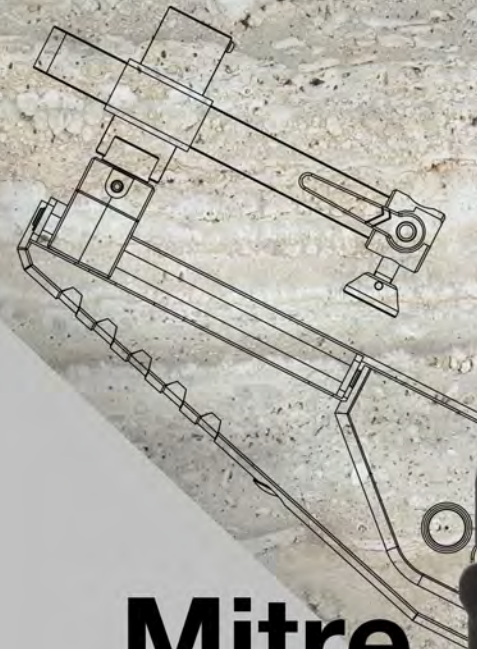
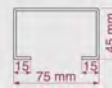


GPW-A04A Specifications



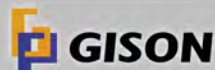
C Channel Steel Specifications

Thickness : 2.3 mm



Mitre Clamp GPW-A04A

www.gison.com



GISON MACHINERY CO., LTD.
No.2, Alley 105, Lane 68, Sec. 2, Sinan Rd., Wurih Dist., Taichung City 41466, Taiwan
Tel: 886-4-23353202 Fax: 886-4-23352252 / 23357742
E-Mail: gison@seed.net.tw / sales@gison.com

www.gison.com

Printed in Sep 2011

ISO-9001 certified



Made in Taiwan

Mitre Clamp GPW-A04A

Features

- Fast clamp.
- Create accurate 90° seams.
- Open space design, place fascia and spread the glue easily.
- Quick lock and release mechanism.
- Plastic caps protect slab surface from scratches.
- Aluminium & Steel construction.
- Fascias capacity :
Max. Height : 200 mm , Thickness : 12~40 mm.



Prepare the C Channel Steel. Insert the GPW-A05 into the C Channel Steel in position and fasten it. Place Plastic Caps on the C Channel Steel in position for protecting the slab.



Place the slab on the C Channel Steel.



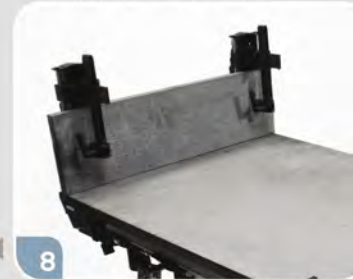
Spread the glue on the mitre of two slabs.



Fix the fascia.



Push upright GPW-A04A, then lock it.



Place the fascia and ensure the two slabs are aligned.



Use the GPW-A06 to fix the slab.



Insert GPW-A04A into GPW-A05 and lock it.

