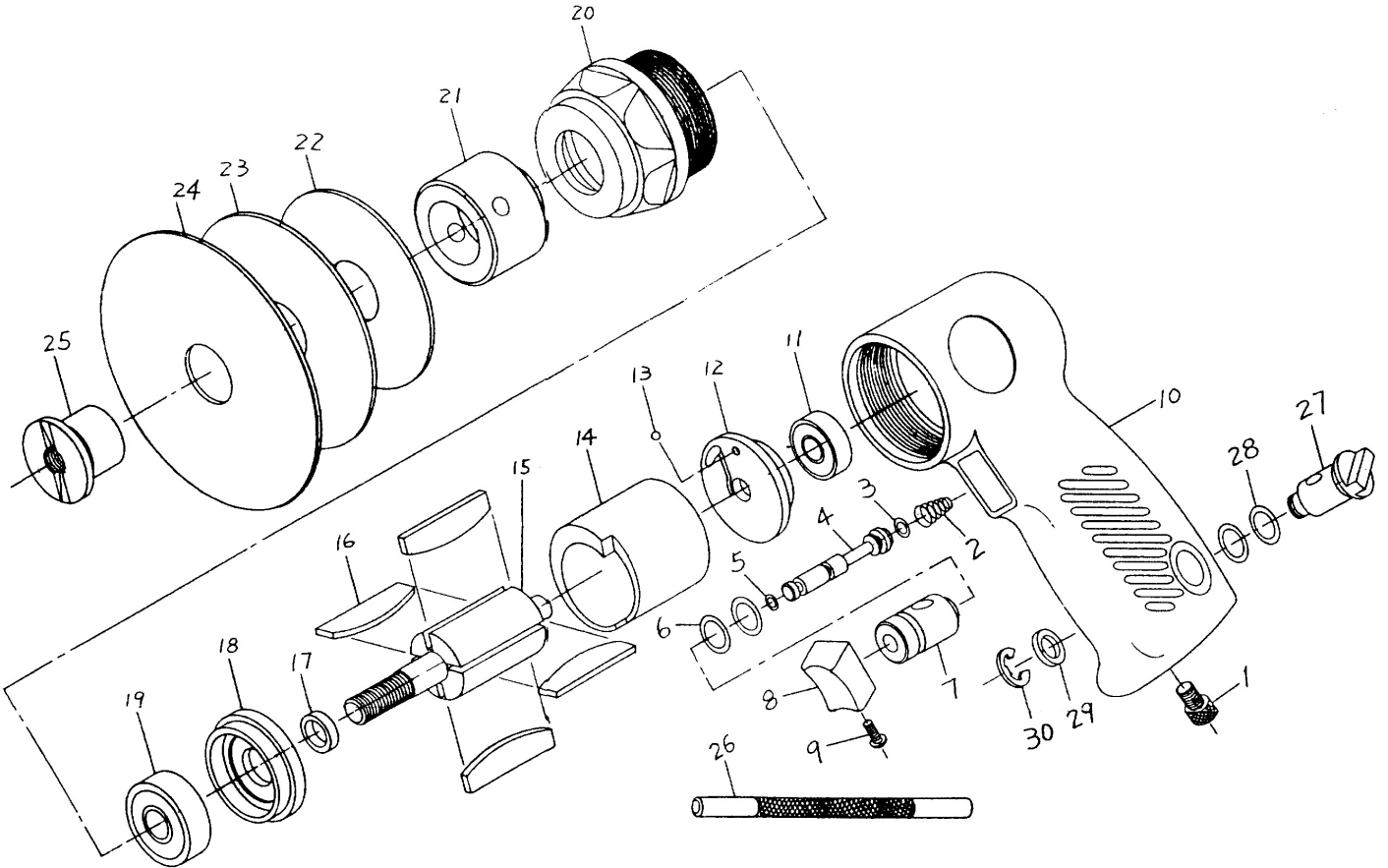




GISON Pneumatic Tools

GP-823G 5" High Speed Air Sander



PARTS LIST

✧ :Consuming Part

Item No.	Part No.	Description	Qty.	Item No.	Part No.	Description	Qty.
1	823G01	Screw	1	✧ 16	823G16	Rotor Blade	4
2	823G02	Spring	1	17	823G17	Bearing-Spacer	1
3	823G03	O-Ring	1	18	823G18	Front Plate	1
4	823G04	Valve Stem	1	✧ 19	823G19	Bearing	1
5	823G05	O-Ring	1	20	823G20	Clamp Nut	1
6	823G06	O-Ring	2	21	823G21	Sanding Adapter	1
7	823G07	Valve Body	1	22	823G22	Backing 3" Plate	1
8	823G08	Trigger	1	23	823G23	Backing 4-1/2" Plate	1
9	823G09	Screw	1	24	823G24	Backing 5-1/2" Plate	1
10	823G10	Housing	1	25	823G25	Adapter Lock Down	1
✧ 11	823G11	Bearing	1	26	823G26	Stop Spanner	1
12	823G12	Rear Plate	1	27	823G27	Valve Stem	1
13	823G13	Steel Ball	1	28	823G28	O-Ring	1
14	823G14	Cylinder	1	29	823G29	Washer	1
15	823G15	Rotor	1	30	823G30	Snap Ring	1