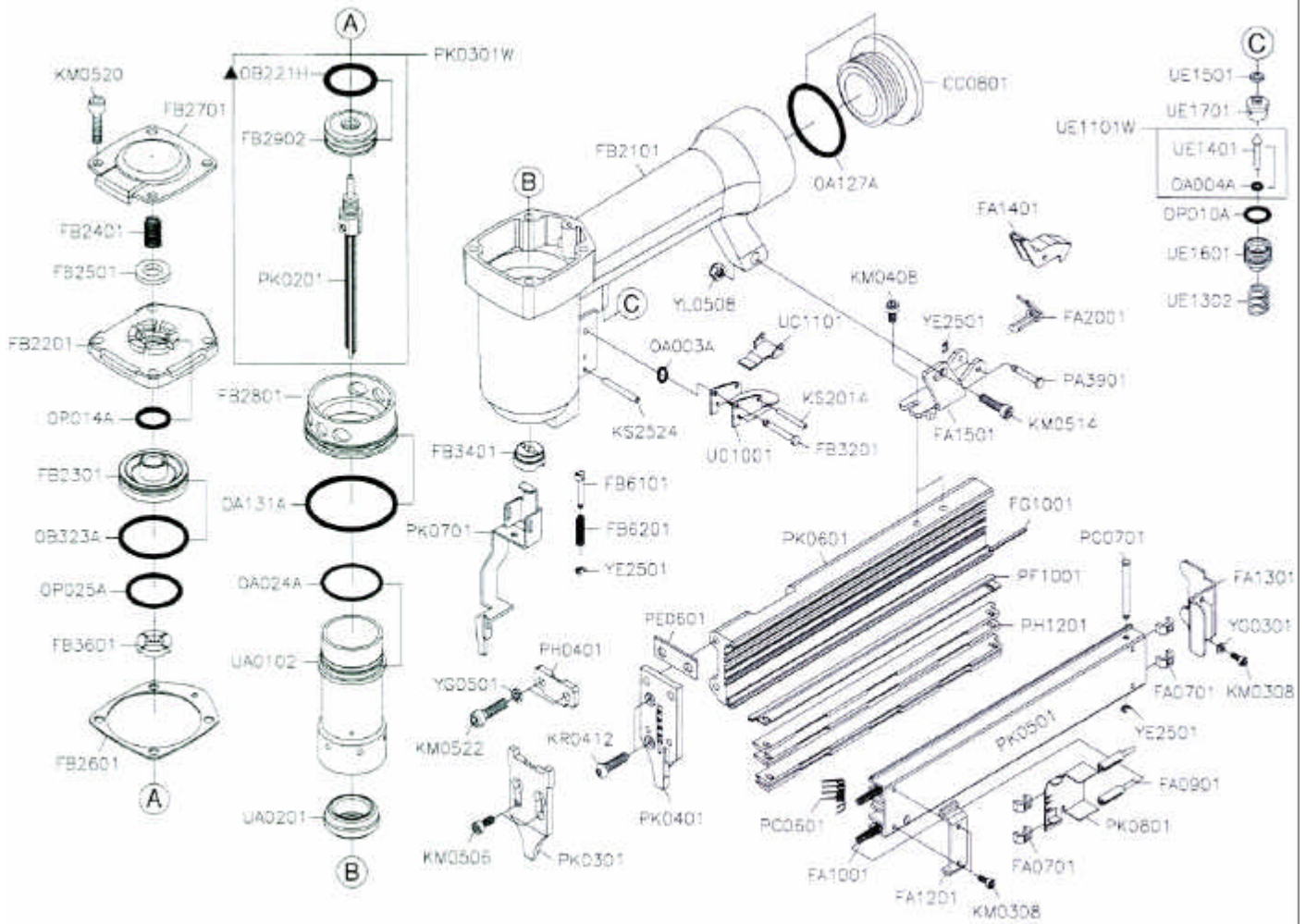


GISON Pneumatic Tools

GP-P18/30 Medium-duty Pinner



PARTS LIST

✳ : Consuming Part

Item No.	Part No.	Description	Qty.	Item No.	Part No.	Description	Qty.	Item No.	Part No.	Description	Qty.
1	CC0801	End Cap	1	25	KM0308	Hex.Soc.Hd.Bolt (M3x0.5-8L)	4	49	PH0401	Cover Plate (A)	1
2	FA0701	Stopper	4	26	KM0408	Hex.Soc.Hd.Bolt (M4x0.7-8L)	2	50	PH1201	Fixed Plate	4
3	FA0901	Pusher Pin	2	27	KM0506	Hex.Soc.Hd.Bolt (M5x0.8-6L)	2	52	PK0201	Driver Assy.	1
4	FA1001	Pusher Spring	2	28	KM0514	Hex.Soc.Hd.Bolt (M5x0.8-14L)	1	53	PK0301	Cover Plate (B)	1
5	FA1201	Pusher Stop	1	29	KM0520	Hex.Soc.Hd.Bolt (M5x0.8-20L)	4	54	PK0301W	Driver Assy.	1
6	FA1301	Stop Plate	1	30	KM0522	Hex.Soc.Hd.Bolt (M5x0.8-22L)	2	55	PK0401	Guide Plate	1
7	FA1401	Latch	1	31	KR0412	Button Hd.Bolt (M4x0.7-12L)	2	56	PK0501	Magzine Cap	1
8	FA1501	Support	1	32	KS2014	Spring Pin (Ø2-14L)	2	57	PK0601	Magzine Seat	1
9	FA2001	Latch Spring	1	33	KS2524	Spring Pin (Ø2.5-24L)	1	58	PK0701	Safety Lever	1
10	FB2101	Body	1	34	OA003A	O-Ring (ARP568-003)	1	59	PK0801	Pusher	1
11	FB2201	Cylinder Cap	1	35	OA004A	O-Ring (ARP568-004)	1	60	UA0102	Cylinder	1
12	FB2301	Head Valve Piston	1	36	OA024A	O-Ring (ARP568-024)	1	61	UA0201	Bumper	1
13	FB2401	Compression Spring	1	37	OA127A	O-Ring (ARP568-127)	1	62	UC1001	Trigger	1
14	FB2501	Piston Stop	1	38	OA131A	O-Ring (ARP568-131)	1	63	UC1101	Contact Lever	1
15	FB2601	Cap Seal	1	39	? OB221H	O-Ring (22.0x3.0)	1	64	UE1101W	Trigger Valve Assy.	1
16	FB2701	Exhaust Cap	1	40	OB323A	O-Ring (31.8x2.4)	1	65	UE1302	Compression Spring	1
17	FB2801	Cylinder Ring	1	41	OP010A	O-Ring (P10)	1	66	UE1401	Trigger Valve Stem	1
18	FB2902	Main Piston	1	42	OP014A	O-Ring (P14)	1	67	UE1501	Seal	1
19	FB3201	Trigger Pin	1	43	OP025A	O-Ring (P25)	1	68	UE1601	Trigger Valve Guide	1
20	FB3401	Nozzle	1	44	PA3901	Latch Pin	1	69	UE1701	Trigger Valve Seat	1
21	FB3601	Piston Stop	1	45	PC0601	Spring	4	70	YE2501	E-Ring (Ø2.5)	3
22	FB6101	Safety Pin	1	46	PC0701	Pin	1	71	YG0301	Spring Washer (Ø3)	2
23	FB6201	Spring	1	47	PE0601	Spacer	1	72	YG0501	Spring Washer (Ø5)	2
24	FG1001	Bar	1	48	PF1001	Fixed Plate Seat	4	73	YL0508	Lock Nut (M5x0.8)	1