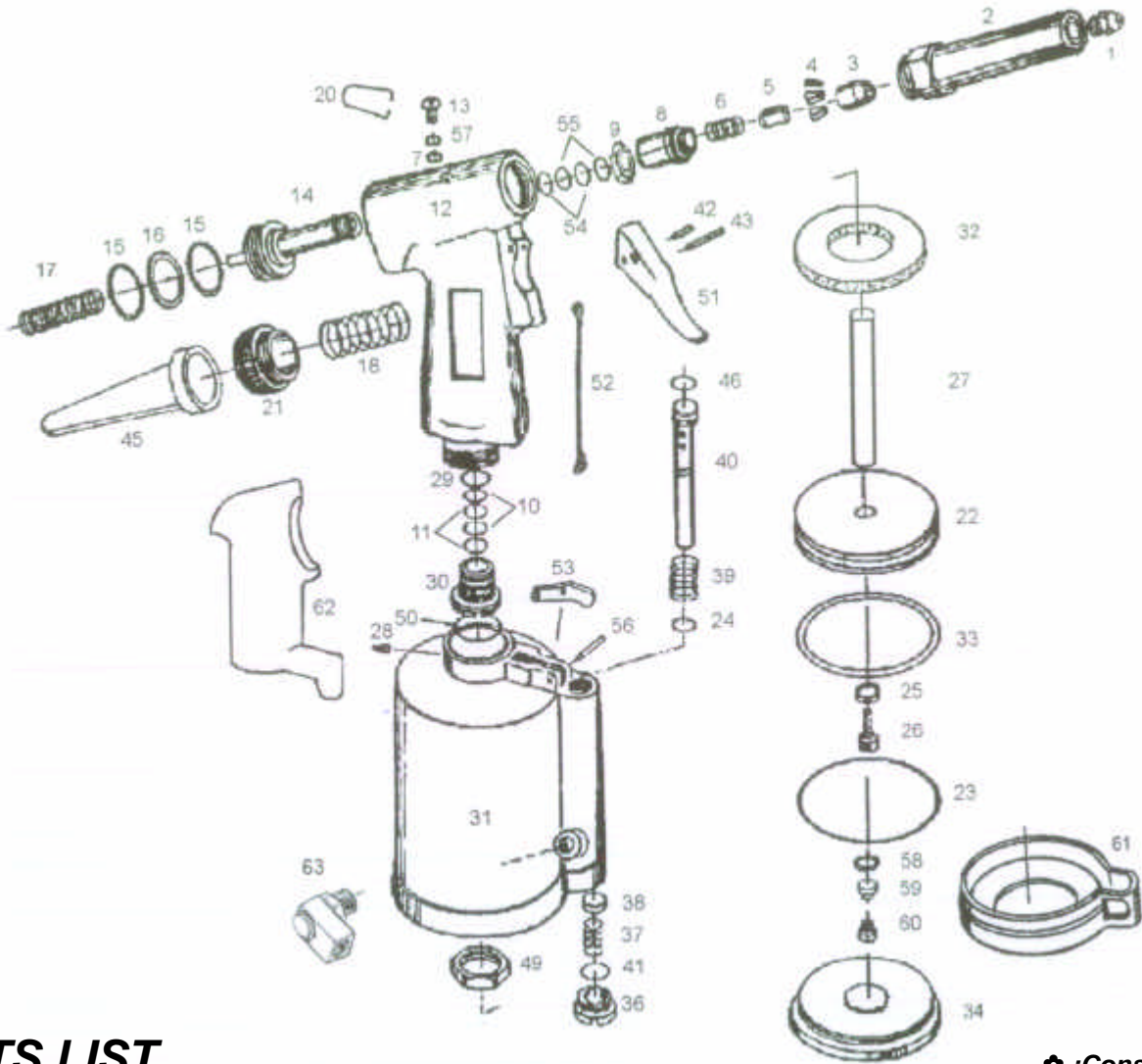




GISON Pneumatic Tools

GP-502 Air Hydraulic Riveter



PARTS LIST

✳ :Consuming Part

No.	Part No.	Description	Qty.	No.	Part No.	Description	Qty.
1	502001	1/4" Nosepiece	1	31	502031	Air Cylinder Body	1
	502002	Head	1	32	502032	Damping Ring	1
3	502003	Jaw Housing	1	33	502033	Air Piston Ring	1
4	502004	Jaws	3	34	502034	Air Cylinder Cap	1
5	502005	Jaw Pusher	1	36	502036	Screw Plug	1
6	502006	Spring	1	37	502037	Valve Pressure Spring	1
7	502007	O-Ring Seal	1	38	502038	Valve Plate (10442)	1
8	502008	Jaw Housing Couple	1	39	502039	Valve Spring	1
9	502009	Nut	1	40	502040	Valve Tube	1
10	502010	X-Ring Seal	2	41	502041	O-Ring Seal	1
11	502011	O-Ring Washer	2	42	502042	Pin	1
12	502012	Hydraulic Section	1	43	502043	Pin	1
13	502013	Oil Plug	1	46	502046	O-Ring Seal	1
14	502014	Hydraulic Plunger	1	49	502049	Lock Nut	1
15	502015	O-Ring Seal	2	50	502050	O-Ring Seal	1
16	502016	Washer	1	51	502051	Trigger	1
17	502017	Return Spring	1	52	502052	Trigger Rod	1
18	502018	Return Spring	1	53	502053	Trigger Lever	1
21	502021	Screw Plug	1	54	502054	X-Ring Seal	2
22	502022	Piston Disc	1	55	502055	X-Ring Washer	2
23	502023	O-Ring Seal	1	56	502056	Pin	1
24	502024	O-Ring Seal	1	57	502057	Fill Washer	1
25	502025	Spring Washer	1	58	502058	Retaining Ring	1
26	502026	Piston Head Lock Screw	1	59	502059	Rubber Plate	1
27	502027	Plunger Rod	1	60	502060	Spring	1
28	502028	Set Screw	1	62	502062	Hand Grip	1
29	502029	O-Ring Seal	1	63	502063	Universal Joint Kit	1
30	502030	Screw Plug	1				