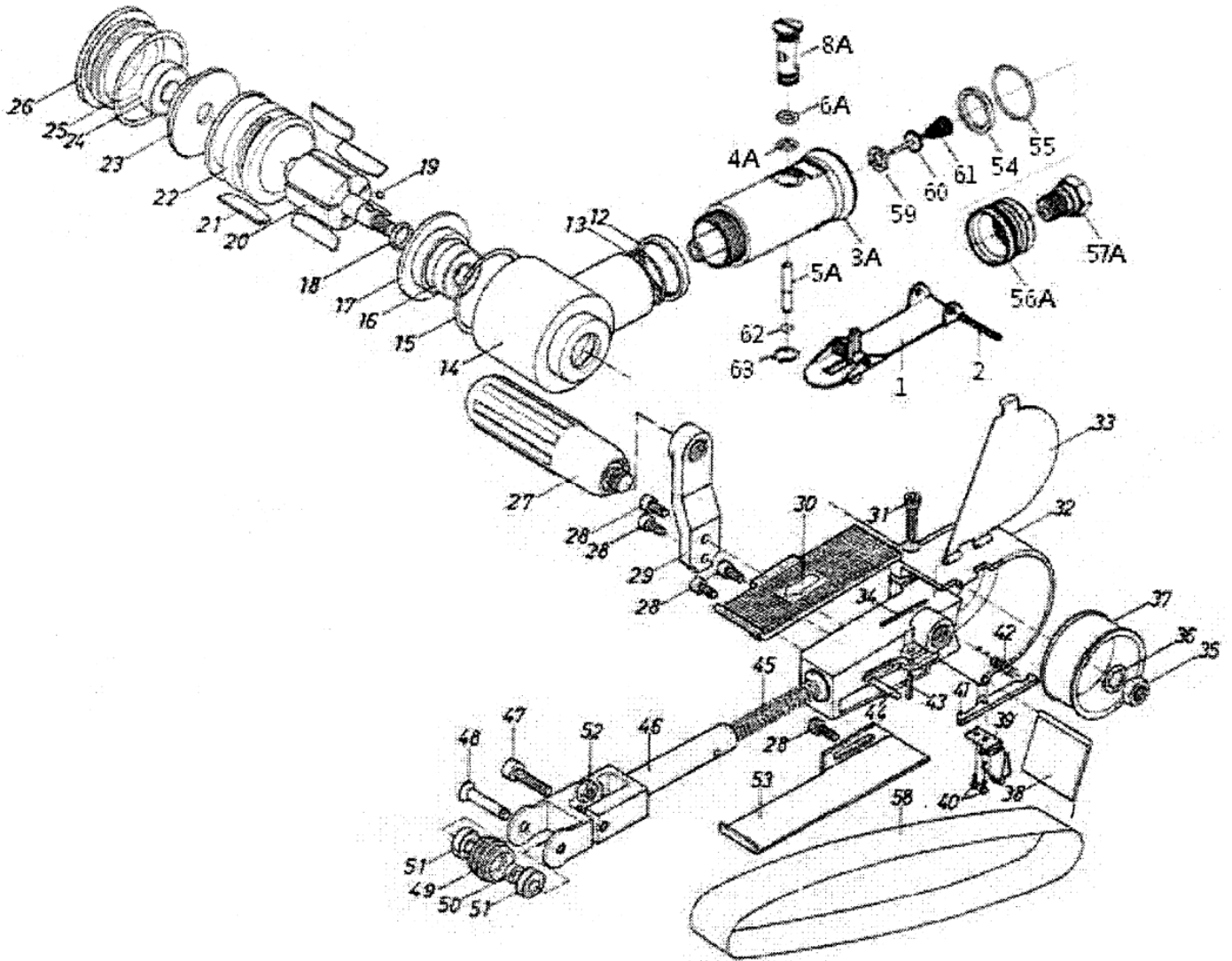




GISON Pneumatic Tools

GP-902B Air Belt Sander



PARTS LIST

★ :Consuming Part

No.	Part No.	Description	Qty.	No.	Part No.	Description	Qty.	No.	Part No.	Description	Qty.
1	902B01	Throttle Lever	1	25	902B25	O-Ring	1	45	902B45	Tension Spring	1
2	902B02	Lever Pin	1	26	902B26	Motor Nut	1	46	902B46	Tension Arm	1
3A	902B03A	Motor Housing	1	27	902B27	Handle	1	47	902B47	Counter Sink	1
4A	902B04A	O-Ring	1	28	902B28	Cap Screw	5	48	902B48	Idle Shaft	1
5A	902B05A	Valve Stem	1	29	902B29	Handle Bracket	1	49	902B49	Idle Pulley	1
6A	902B06A	O-Ring	1	30	902B30	Finger Plate	1	50	902B50	Collar	1
8A	902B08A	Air Controller	1	31	902B31	Adjust Screw	1	51	902B51	Ball Bearing	2
12	902B12	Lock Nut	1	32	902B32	Guard Body	1	52	902B52	Lock Nut	1
13	902B13	O-Ring	1	33	902B33	Guard	1	53	902B53	Shoe	1
14	902B14	Housing	1	34	902B34	Roll Pin	1	54	902B54	Silencer	1
15	902B15	O-Ring	1	35	902B35	Lock Nut	1	55	902B55	O-Ring	1
16	902B16	Ball Bearing	1	36	902B36	Washer	1	56A	902B56A	Air Deflector	1
17	902B17	Front End Plate	1	37	902B37	Drive Pulley	1	57A	902B57A	Air Inlet	1
18	902B18	Spacer	1	38	902B38	Dust Cover	1	58	902B58	Grinding	1
19	902B19	Key	1	39	902B39	Cover Latch	1	59	902B59	Seal	1
20	902B20	Rotor	1	40	902B40	Cap Screw	2	60	902B60	Valve Stem	1
21	902B21	Rotor Blade	1	41	902B41	Stopper	1	61	902B61	Spring	1
22	902B22	Cylinder	1	42	902B42	Stopper Spring	1	62	902B62	O-Ring	1
23	902B23	Rear End Plate	1	43	902B43	Roll Pin	1	63	902B63	Snap Ring	1
24	902B24	Ball Bearing	1	44	902B44	Stopper Pin	1				