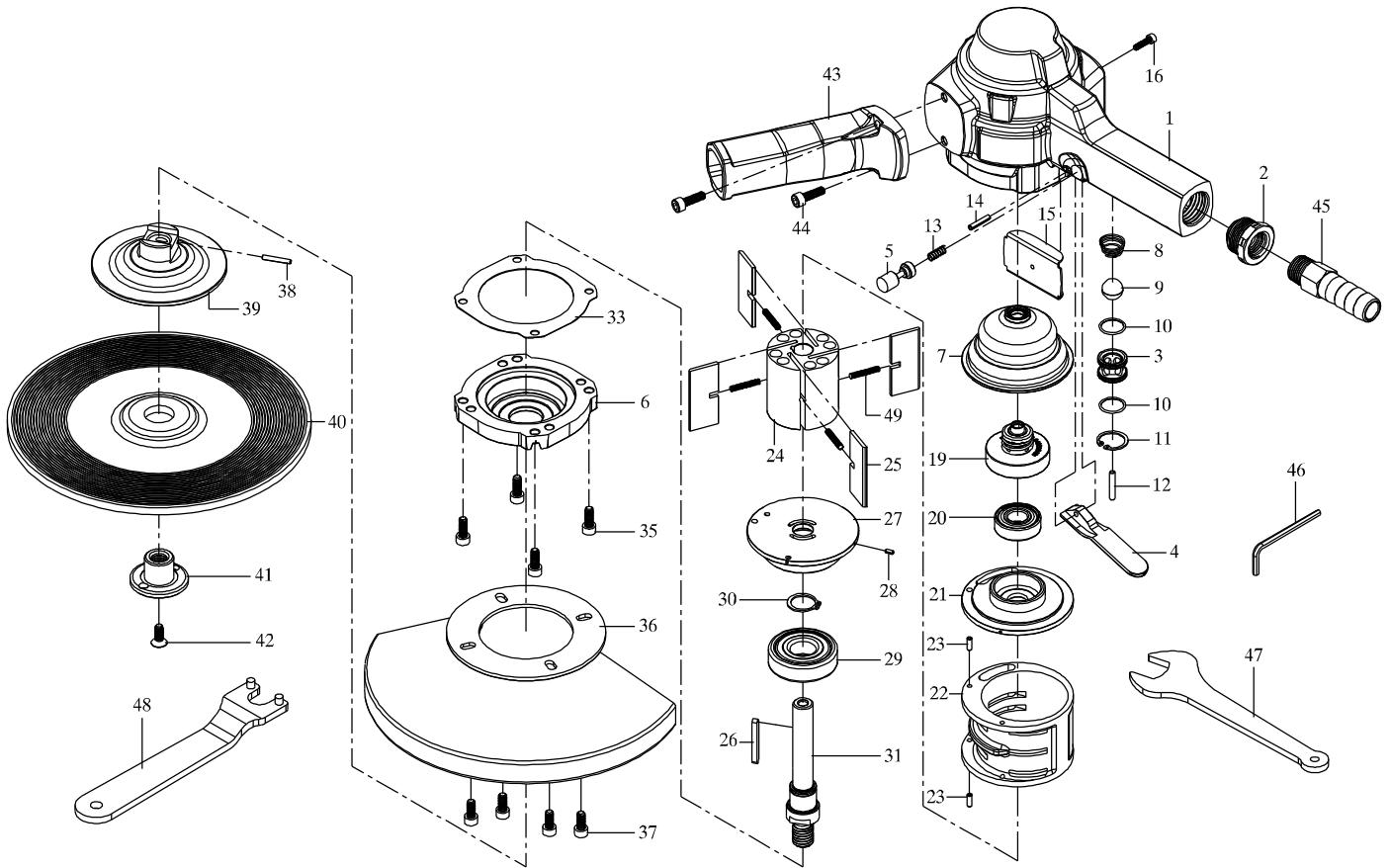


GISON Pneumatic Tools

GP-918 9" Heavy Duty Air Vertical Grinder



PARTS LIST

✿ : Consuming Part

Item No.	Part No.	Description	Qty.	Item No.	Part No.	Description	Qty.
1	918001	Casing	1	26	KC001	Key	1
2	918002	Air Inlet Bushing	1	27	918016	Front Plate	1
3	918003	Valve Bushing	1	28	SP014	Spring Pin	1
4	918004	Lever	1	✿ 29	B6304ZZ	Ball Bearing	1
5	918005	Safety Pin	1	30	C20	Retainer Ring	1
6	918006	Head Cover	1	31	918017	Wheel Spindle	1
7	918007W	Inner Cover	1	33	918022	Head Cover Packing	1
8	S037	Spring	1	35	CAP018	Cap Screw	4
9	918042	Ball	1	36	918046	Wheel Guard	1
10	OR039	O-Ring	2	37	CAP021	Cap Screw	4
11	R22	Retainer Ring	1	38	SP026	Spring Pin	1
12	P009	Pin	1	39	918018	Wheel Receiver	1
13	S036	Spring	1	40	915006	9" Disc Wheel	1
14	SP024	Spring Pin	1	41	918019	Wheel Nut	1
15	918021	Exhaust Deflecton	1	42	MT002	Allen Head Screw	1
16	CAP020	Cap Screw	1	43	918020	Dead Handle	1
19	918h02	Governor Assembly	1	44	CAP003	Cap Screw	2
✿ 20	B6202ZZ	Ball Bearing	1	45	918050	Air Hose Nipple	1
21	918012	Rear Plate	1	46	160063	Spanner 4mm	1
22	918013	Cylinder	1	47	918051	Spanner	1
23	SP023	Spring Pin	2	48	918052	Spanner	1
24	918014	Rotor	1	49	S065	Spring	4
✿ 25	918015	Rotor Blade	4				