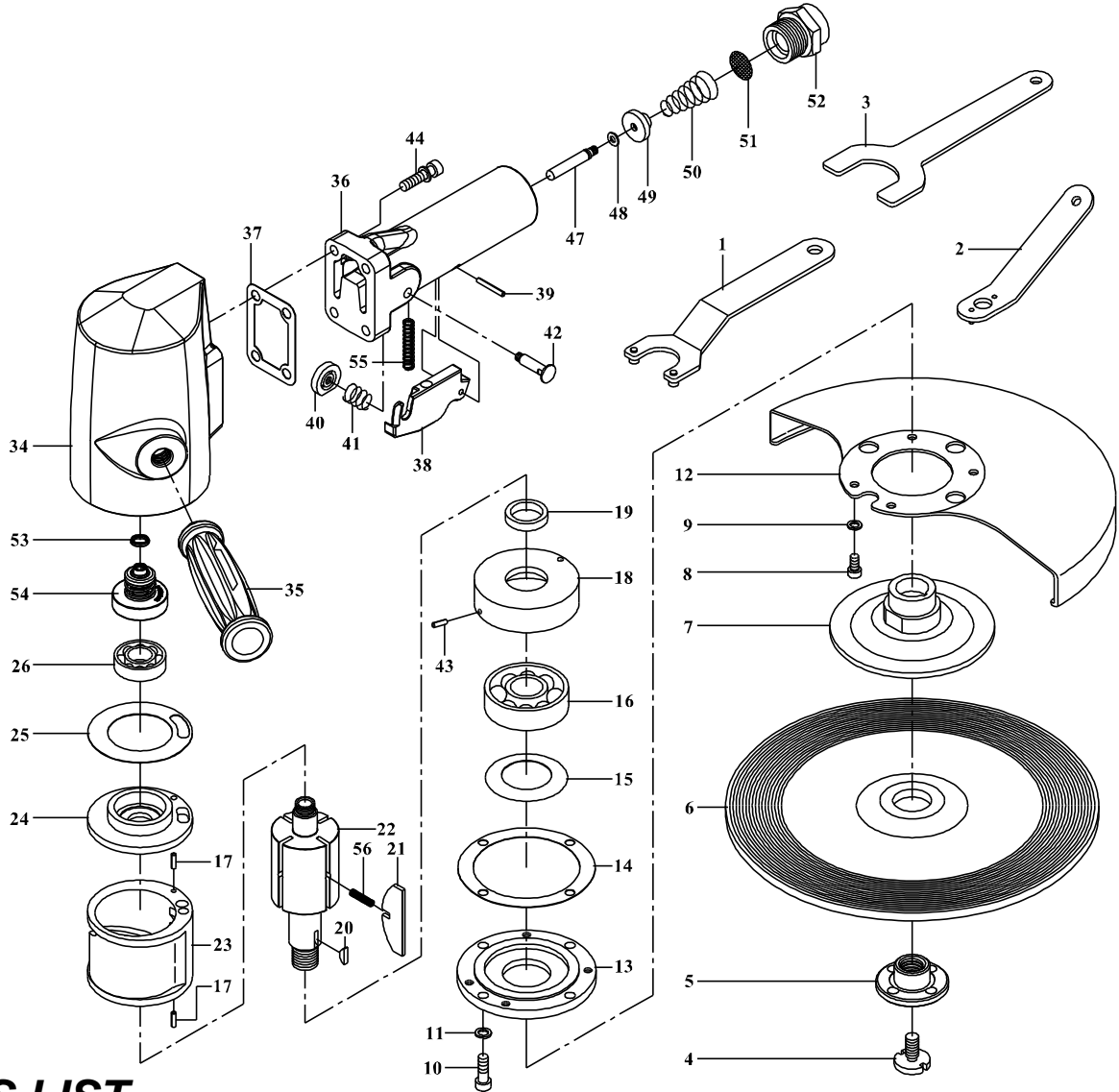




GISON Pneumatic Tools

GP-915 9" Heavy Duty Air Vertical Grinder



PARTS LIST

✳ : Consuming Part

| Item No. | Part No. | Description | Qty. | Item No. | Part No. | Description | Qty. |
|----------|----------|---------------|------|----------|----------|-------------------|------|
| 1 | 829047 | Disc Spanner | 1 | 25 | 915025 | Gasket | 1 |
| 2 | 832040 | Disc Spanner | 1 | ✳ 26 | B6002ZZ | Ball Bearing | 1 |
| 3 | 915003 | Stop Spanner | 1 | 34 | 915034A | Body | 1 |
| 4 | 915004 | Screw | 1 | 35 | 829027 | Dead Handle | 1 |
| 5 | 915005 | Pad Nut | 1 | 36 | 916036 | Handle | 1 |
| 6 | 915006 | Disc Wheel | 1 | 37 | 915037 | Gasket | 1 |
| 7 | 915007 | Disc Receiver | 1 | 38 | 916038 | Lever | 1 |
| 8 | CAP017 | Screw | 4 | 39 | SP026 | Spring Pin | 1 |
| 9 | SPW5 | Washer | 4 | 40 | 916040 | Nut Spacer | 1 |
| 10 | CAP018 | Screw | 4 | 41 | S022 | Spring | 1 |
| 11 | SPW6 | Spring Washer | 4 | 42 | 916042 | Latch | 1 |
| 12 | 915012 | Disc Cover | 1 | 43 | SP025 | Spring Pin | 1 |
| 13 | 915013 | Body Cover | 1 | 44 | CAP003 | Screw | 4 |
| 14 | 915014 | Gasket | 1 | 47 | 916047 | Valve Sleeve | 1 |
| 15 | 915015 | Retainer | 1 | 48 | T5X14 | Washer | 1 |
| ✳ 16 | B6304ZZ | Ball Bearing | 1 | 49 | 915049 | Valve Stem | 1 |
| 17 | SP001 | Spring Pin | 2 | ✳ 50 | S013 | Spring | 1 |
| 18 | 915018 | Front Plate | 1 | 51 | 420001 | Screen | 1 |
| 19 | 915019 | Pipe Sleeve | 1 | 52 | 420002 | Hose Adapter | 1 |
| 20 | KR002 | Key | 1 | 53 | SG015 | Oil Seal | 1 |
| ✳ 21 | 915021 | Rotor Blade | 4 | 54 | 915h02 | Governor Assembly | 1 |
| 22 | 915022 | Rotor | 1 | 55 | S040 | Spring | 1 |
| 23 | 915023 | Cylinder | 1 | 56 | S064 | Spring | 4 |
| 24 | 915024 | Rear Plate | 1 | | | | |