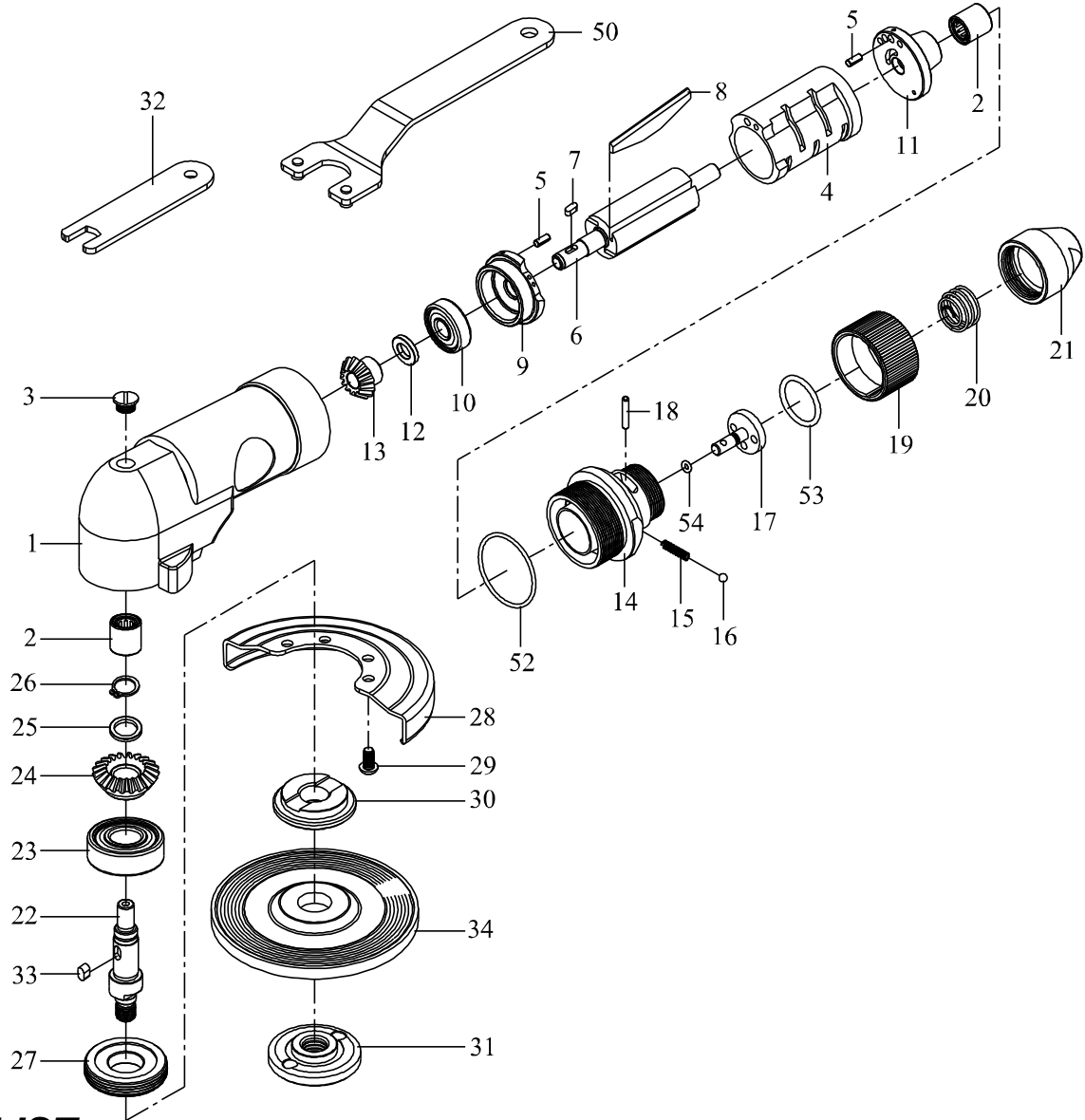




# GISON Pneumatic Tools

## GP-971-5 5" Air Angle Grinder (grip Lever)



### PARTS LIST

✿ : Consuming Part

Item No.	Part No.	Description	Qty.	Item No.	Part No.	Description	Qty.
1	97101000	Body	1	20	832038	Coil Spring	1
2	B815	Pin Bearing	2	21	97103060	Valve Joint	1
3	97101020	Screw	1	22	97104001	Gear Shaft	1
✿ 4	97102000	Cylinder	1	23	B6301ZZ	Ball Bearing	1
5	SP025	Spring Pin	2	✿ 24	97104030	Bevel Gear	1
6	97102A10	Rotor	1	25	97104040	Washer	1
7	KC002	Key	1	26	C10	Retaining Ring	1
✿ 8	97102012	Rotor Blade	4	27	97104061	Nut	1
9	97102020	Front Plate	1	28	97105010	Disc Cover	1
10	B629ZZ	Ball Bearing	1	29	MC003	Screw	4
11	97102030	Rear Plate	1	30	911019	Disc Receiver	1
12	97102040	Washer	1	31	911021	Disc Nut	1
✿ 13	97102050	Pinion Gear	1	32	832041	Stop Spanner	1
14	97103000	Valve Housing	1	33	KC003	Key	1
15	S011	Spring	1	34	911020	5" Disc Wheel	1
16	380022	Steel Ball	1	50	829047	Disc Spanner	1
✿ 17	97103020	Throttle Valve	1	52	OR025	O-Ring	1
18	P014	Valve Pin	1	53	OR035	O-Ring	1
19	97103040	Valve Ring	1	54	OR063	O-Ring	1