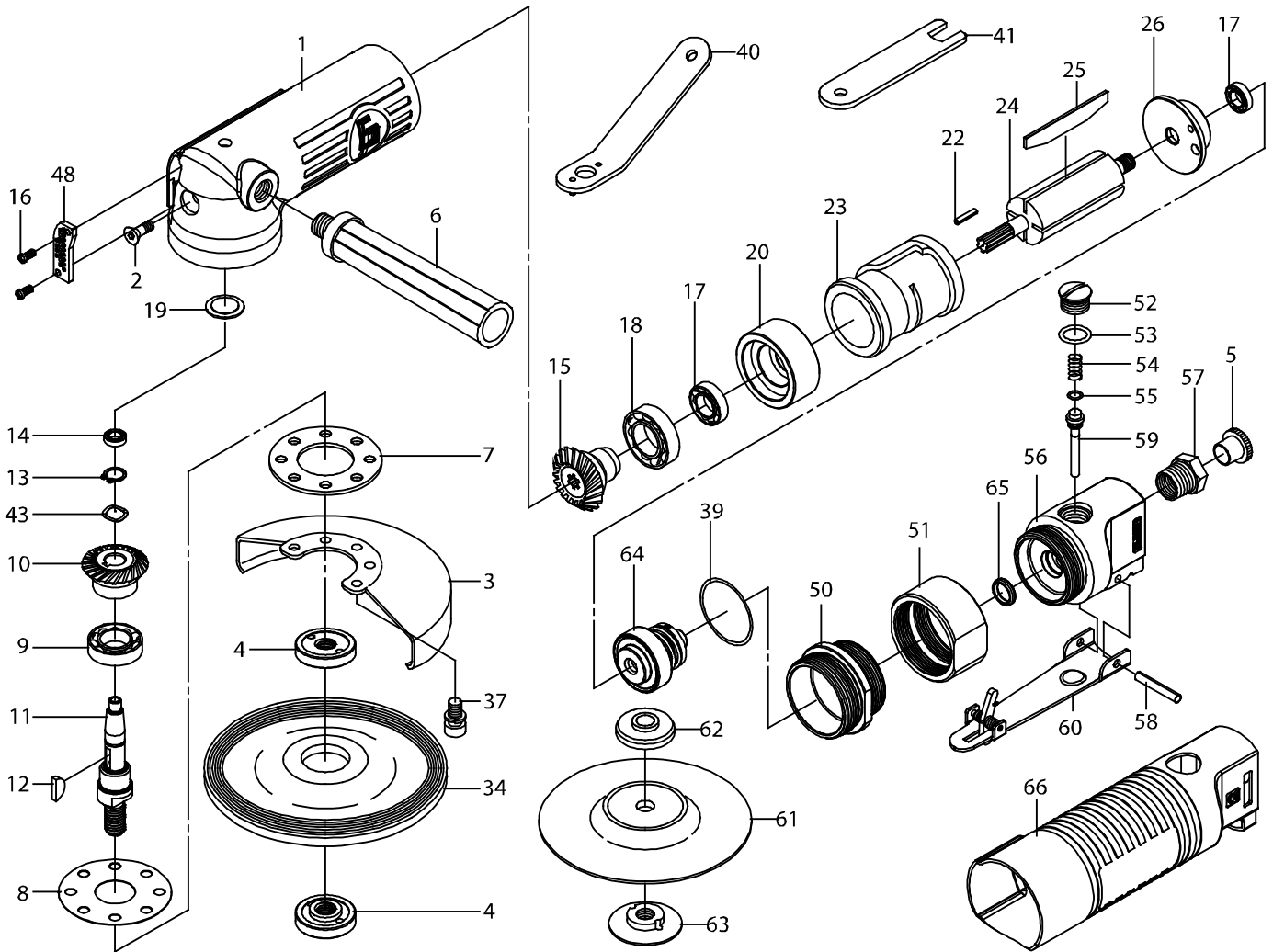




GISON Pneumatic Tools

GP-914 4-1/2" Air Angle Sander & Grinder



PARTS LIST

★ :Consuming Part

Item No.	Part No.	Description	Qty.	Item No.	Part No.	Description	Qty.
1	832001	Body	1	34	832034	Disc Wheel	1
2	MT001	Screw	1	37	CAP005	Cap Screw	4
3	912003	Disc Cover	1	39	OR032	O-Ring	1
4	832004	Disc Nut	2	40	832040	Disc Spanner	1
5	829046	Plastic Cover	1	41	832041	Stop Spanner	1
6	832006	Grip	1	43	WW 10	Wave Washer	1
7	832007	Retainer	1	48	832048	Exhaust Cover	1
8	832008	Gasket	1	50	832050	Lock Ring	1
9	B6202ZZ	Ball Bearing	1	51	832051	Coupling Nut	1
10	832010	Bevel Gear	1	52	832052	Valve Screw	1
11	832011a	Gear Shaft	1	53	OR033	O-Ring	1
12	KR002	Key	1	54	S028	Valve Spring	1
13	C10	Retaining Ring	1	55	OR034	O-Ring	1
14	B626ZZ	Ball Bearing	1	56	832056	Valve Housing	1
15	832015	Pinion Gear	1	57	832057	Hose Adapter	1
16	TP3X10	Screw	2	58	SP018	Spring Pin	1
17	B608ZZ	Ball Bearing	2	59	832059	Valve Pin	1
18	B6201	Ball Bearing	1	60	832j01	Complete Lever Assembly	1
19	832019	Spacer	1	61	914027	Pad	1
20	829023	Front Plate	1	62	912005	Disc Receiver	1
22	SP025	Spring Pin	1	63	912004	Disc Nut	1
23	829022	Cylinder	1	64	832h02	Governor Assy	1
24	832024	Rotor	1	65	SG015	Oil Seal	1
25	829019	Rotor Blade	4	66	832068	Rubber Sleeve	1
26	829018	Rear Plate	1				