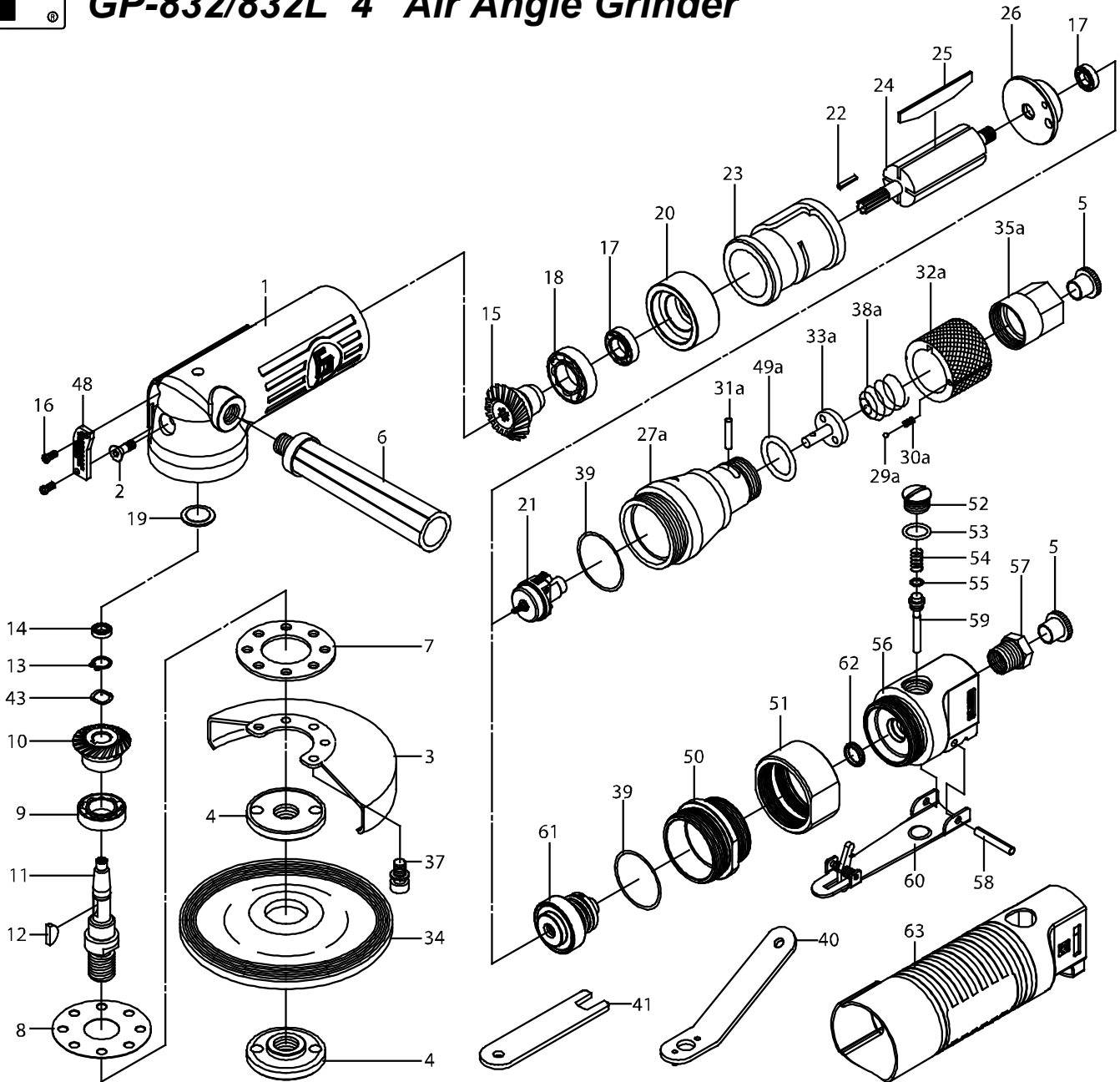




GISON Pneumatic Tools

GP-832/832L 4" Air Angle Grinder



PARTS LIST

★ :Consuming Part

Item No	Part No	Description	Qty	Item No	Part No	Description	Qty	Item No	Part No	Description	Qty
1	832001	Body	1	20	829023	Front Plate	1	41	832041	Stop Spanner	1
2	MT001	Screw	1	21	832h01	Governor Assembly	1	43	WW10	Wave Washer	1
3	832003	Disc Cover	1	22	SP025	Spring Pin	1	48	832048	Exhaust Cover	1
★ 4	832N04	Disc Nut	2	23	829022	Cylinder	1	49a	OR035	O-Ring	1
5	829046	Plastic Cover	1	★ 24	832024	Rotor	1	50	832050	Lock Ring	1
6	832006	Grip	1	25	829019	Rotor Blade	4	51	832051	Coupling Nut	1
7	832007	Retainer	1	26	829018	Rear Plate	1	52	832052	Valve Screw	1
8	832008	Gasket	1	27a	832027	Governor Case	1	53	OR033	O-Ring	1
9	B6202ZZ	Ball bearing	1	29a	832029	Steel Ball	1	54	S028	Valve Spring	1
★ 10	832010	Bevel Gear	1	30a	S027	Valve Spring	1	55	OR034	O-Ring	1
11	832011	Gear Shaft	1	31a	P014	Valve Pin	1	56	832056P	Valve Housing	1
12	KR002	Key	1	32a	832032	Valve Ring	1	57	832057	Hose Adapter	1
13	C10	Retaining Ring	1	★ 33a	832033	Throttle Valve	1	58	SP018	Spring Pin	1
14	B626ZZ	Ball Bearing	1	34	832034	Disc Wheel	1	59	832059	Valve Pin	1
★ 15	832015	Pinion Gear	1	35a	832035	Valve Joint	1	60	832j01	Complete Lever Assembly	1
16	TP3X10	Screw	2	37	CAP005	Cap Screw	4	61	832h02	Governor Assembly(new)	1
★ 17	B608ZZ	Ball Bearing	2	38a	832038	Coil Spring	1	62	SG015	Oil Seal	1
18	B6201	Ball Bearing	1	39	OR032	O-Ring	1	63	832068	Rubber Sleeve	1
19	832019	Spacer	1	40	832040	Disc Spanner	1				