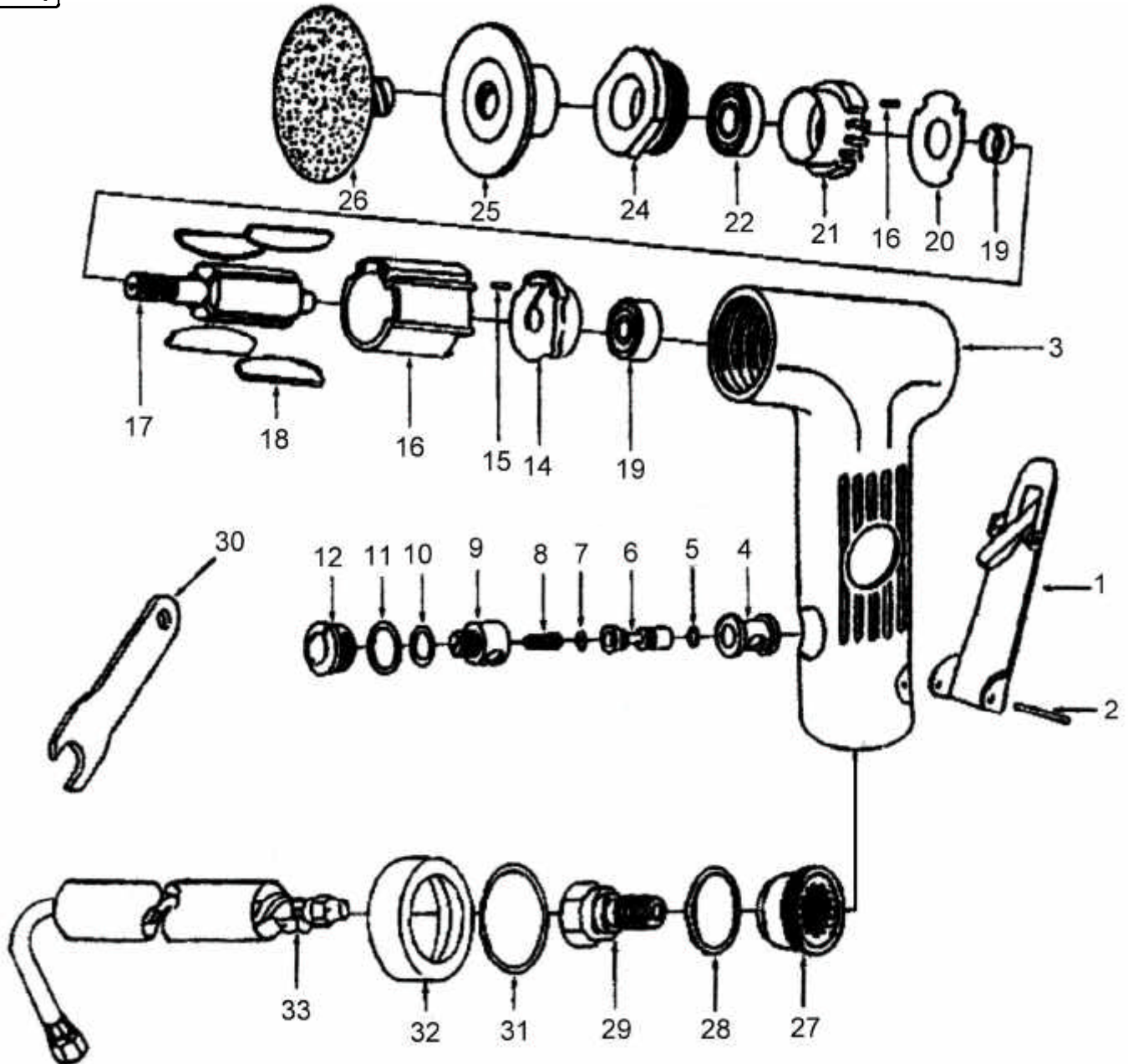


GISON Pneumatic Tools

GP-824CF 2" Air Angle Sander (W/hose,no Gear)



PARTS LIST

✳ :Consuming Part

Item No.	Part No.	Description	Qty.	Item No.	Part No.	Description	Qty.
1	824CF01	Thrott Lelever	1	17	824CF17	Rotor	1
2	824CF02	Spring Pin	1	18	824CF18	Blade	4
3	824CF03	Housing	1	19	824CF19	Collar	1
4	824CF04	Valve Bushing	1	20	824CF20	Steel Plate	1
5	824CF05	O-Ring	1	21	824CF21	Front Plats	1
6	824CF06	Valve Stem	1	22	824CF22	Bearing	1
7	824CF07	O-Ring	1	24	824CF24	Lock Ring	1
8	824CF08	Valve Spring	1	25	824CF25	Disc Holder	1
9	824CF09	Air Controller	1	26	824CF26	Sanding Disc	1
10	824CF10	O-Ring	1	27	824CF27	Exhaust Sleeve	1
11	824CF11	O-Ring	1	28	824CF28	O-Ring	1
12	824CF12	Valve Screw	1	29	824CF29	Air Inlet	1
13	824CF13	Bearing	1	30	824CF30	Wrench (11mm)	1
14	824CF14	End Plate	1	31	824CF31	O-Ring	1
15	824CF15	Pin	1	32	824CF32	Clamp Ring	1
16	824CF16	Cylinder	1	33	824CF33	Air Hose Asst'Y	1