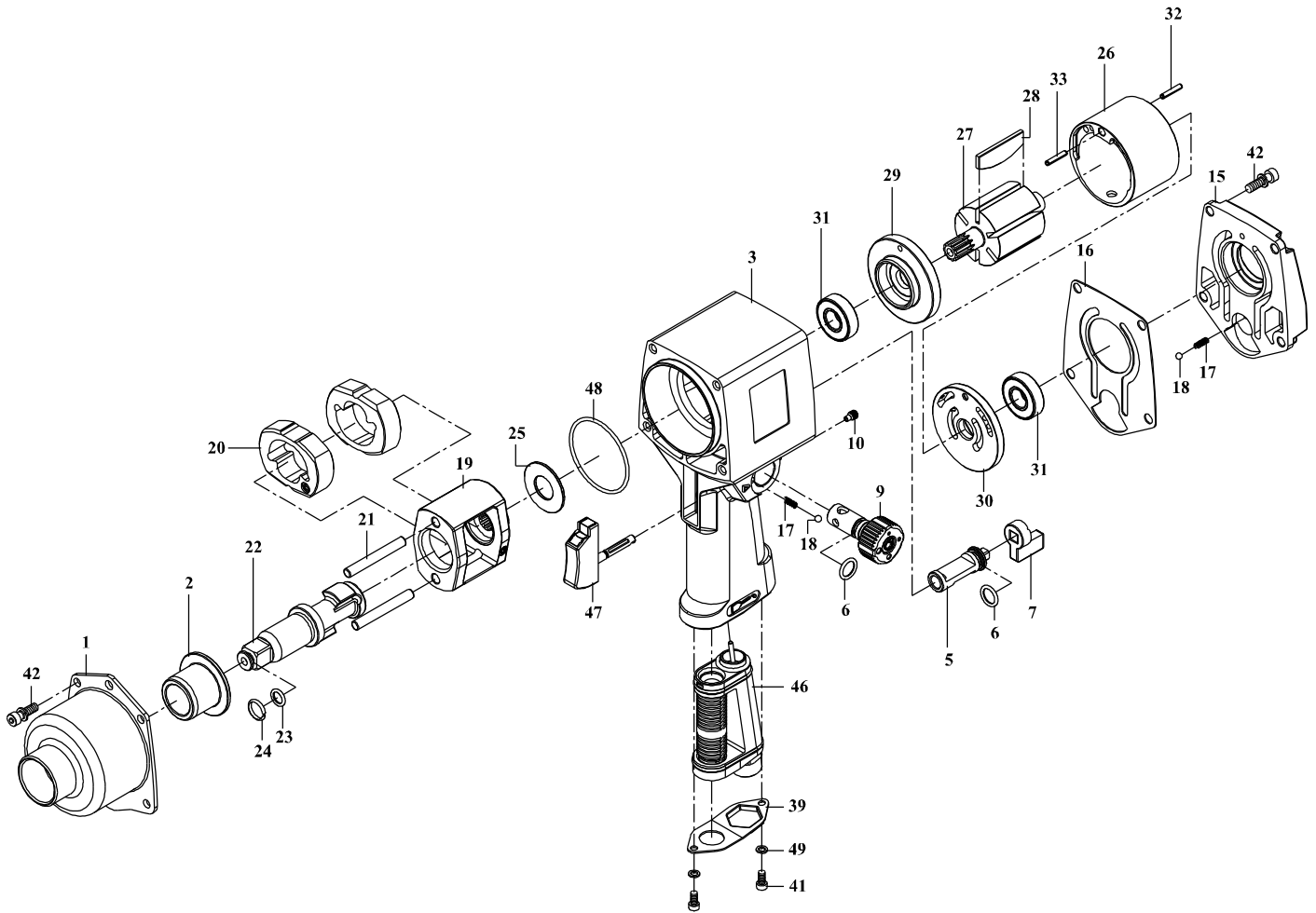




GISON Pneumatic Tools

GW-19R 1/2" Heavy Duty Impact Wrench



PARTS LIST

✧ : Consuming Part

Item No.	Part No.	Description	Qty.	Item No.	Part No.	Description	Qty.
1	19R01000	Hammer Case	1	24	160028	C-Ring	1
2	19R01010	Anvil Bushing	1	25	19R04040	Washer	1
3	19R02000	Housing	1	26	19R05000	Cylinder	1
5	26002020	Reverse Valve	1	27	19R05010	Rotor	1
6	OR006	O-ring	2	✧ 28	19R05020	Rotor Blade	6
7	19R02030	Reverse Knob	1	29	19R05030	Front Plate	1
9	19R02050	Regulator	1	30	19R05040	Rear Plate	1
10	MS001	Screw	1	31	B6001	Bearing	2
15	19R03000	Rear Cover	1	32	SP019	Spring Pin	1
✧ 16	19R03010	Gasket	1	33	SP015	Spring Pin	1
17	S011	Spring	2	39	19R06060	Seal	1
18	380022	Steel Ball	2	41	CAP024	Screw	2
19	19R04000	Hammer Cage	1	42	CAP015	Screw	8
20	19R04010	Hammer	2	46	19R060A	Handle Assy.	1
✧ 21	19R04020	Hammer Pin	2	47	19R0208A	Trigger Assy.(12,13,50)	1
22	19R04030	Anvil	1	48	OR004	O-Ring	1
23	OR002	O-Ring	1	49	SPW4	Spring Washer	2