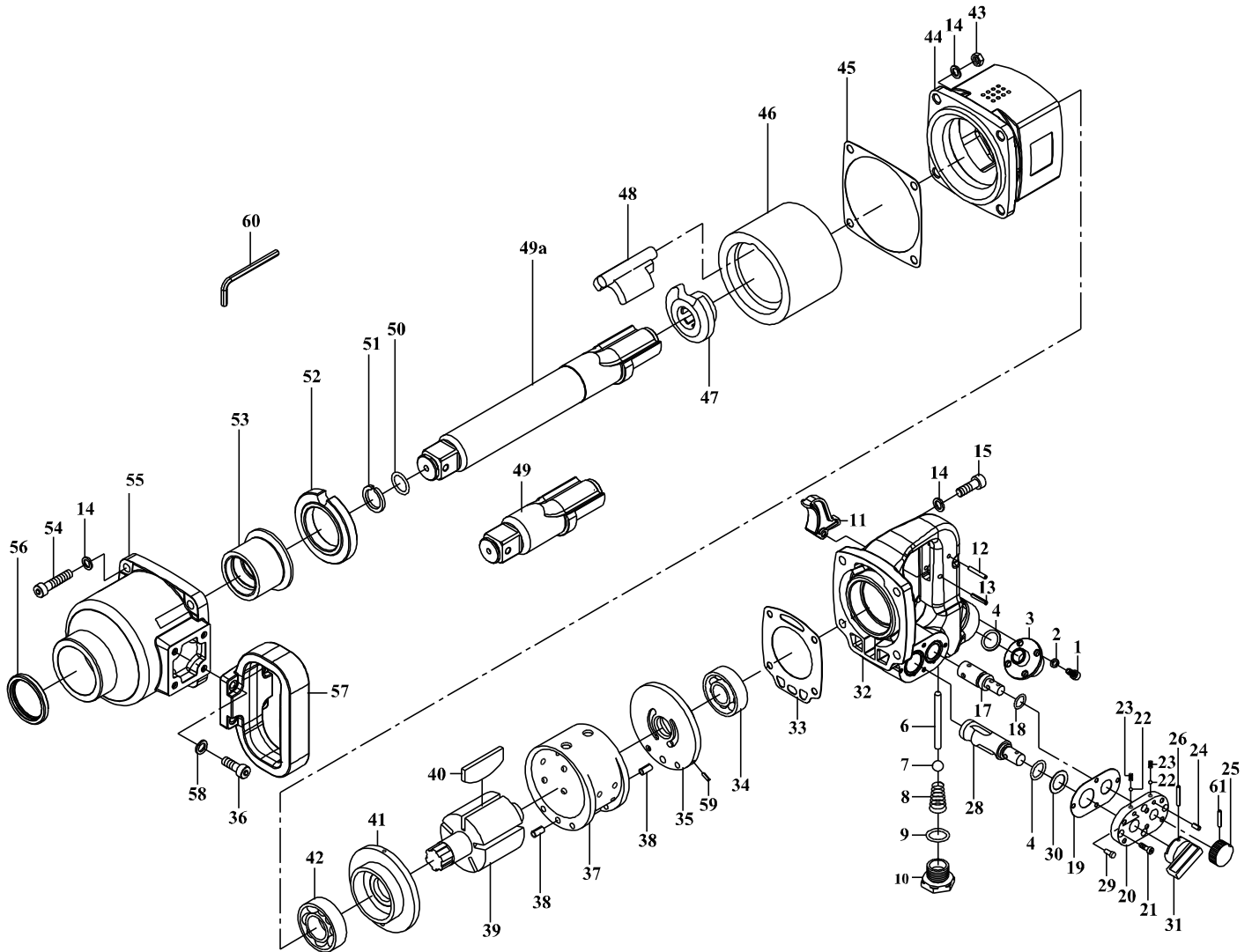


GISON Pneumatic Tools

GW-38SI/LI 1" Air Heavy Duty Impact Wrench



PARTS LIST

✳ : Consuming Part

Item No.	Part No.	Description	Qty.	Item No.	Part No.	Description	Qty.	Item No.	Part No.	Description	Qty.
1	CAP005	Cap Screw	4	23	S011	Spring	2	44	380044	Body	1
2	SPW5	Spring Washer	4	24	SP008	Spring Pin	1	45	380045	Front Gasket	1
3	380003	Air Inlet Bushing	1	25	380025	Regulator Knob	1	46	380046	Hammer Cage	1
4	OR014	O-Ring	2	26	SP026	Spring Pin	1	47	380047	Cam	1
6	380006	Valve Stem	1	28	380028	Reversible Valve	1	✳ 48	380048	Hammer	1
✳ 7	380007	Nylon Ball	1	29	380029	Pin	1	49	380049	Anvil (Short)	1
✳ 8	S010	Spring	1	30	380056	Spacer	1	49a	380049L	Anvil (Long)	1
9	OR015	O-Ring	1	31	380031	Reversible Lever	1	50	OR020	O-Ring	1
10	380010	Throttle Plug	1	32	380032S	Handle Frame (Inter Trigger)	1	51	420052	Anvil Collar	1
11	380011S	Trigger	1	✳ 33	380033	Rear Gasket	1	52	380052	Washer	1
12	SP018	Spring Pin	1	34	B6204Z	Ball Bearing	1	53	380053	Anvil Bushing	1
13	SP016	Spring Pin	1	35	380035	Rear Plate	1	54	CAP008	Cap Screw	4
14	SPW5/16	Spring Washer	12	36	CAP011	Cap Screw	4	55	380055	Hammer Casing	1
15	CAP006	Cap Screw	4	37	380037	Cylinder	1	56	SG006	Oil Seal	1
17	380017	Air Regulator	1	38	SP004	Spring Pin	2	57	380057	Left Grip	1
18	OR031	O-Ring	1	39	380039	Rotor	1	58	SPW6	Spring Washer	4
✳ 19	380019	Gasket	1	✳ 40	380040	Rotor Blade	5	59	P007	Pin	1
20	380020	Valve Cap	1	41	380041	Front Plate	1	60	420068	Hex. Spanner	1
21	CAP007	Cap Screw	4	42	B6205	Ball Bearing	1	61	SP019	Spring Pin	1
22	380022	Steel Ball	2	43	NS8	Nut	4				