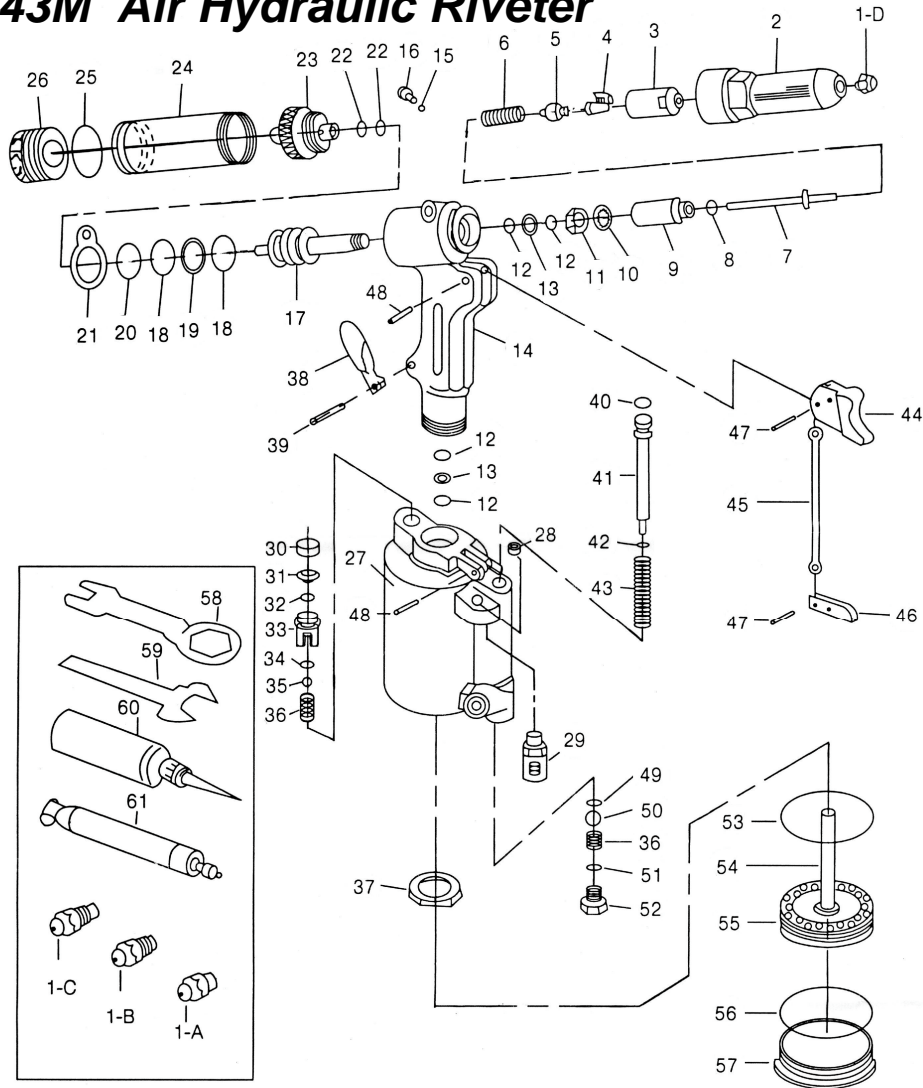


GISON Pneumatic Tools

GP-843M Air Hydraulic Riveter



PARTS LIST

✳ : Consuming Part

Item No.	Part No.	Description	Qty.	Item No.	Part No.	Description	Qty.
1A	843M01A	Nosepiece 2.4 mm (3/32")	1	30	843M30	Collar	1
1B	843M01B	Nosepiece 3.2 mm (1/8")	1	31	843M31	Bushing	1
1C	843M01C	Nosepiece 4.0 mm (5/32")	1	32	843M32	O-Ring	1
1D	843M01D	Nosepiece 4.8 mm (3/16")	1	33	843M33	Bushing	1
02	843M02	Frame Head	1	34	843M34	O-Ring	1
03	843M03	Jaws Case Front Part	1	35	843M35	Valve	1
04	843M04	Jaws	2	36	843M36	Valve Spring	1
05	843M05	Jaw Pusher	1	37	843M37	Frame Lock Nut	1
06	843M06	Jaw Case Spring	1	38	843M38	Trigger	1
07	843M07	Stainless Tube	1	39	843M39	Pin	1
08	843M08	O-Ring	1	40	843M40	O-Ring	1
09	843M09	Jaw Case End Part	1	41	843M41	Valve Pusher	1
10	843M10	Case Washer Ring	1	42	843M42	O-Ring	1
11	843M11	Case Lock Nut	1	43	843M43	Valve Spring	1
12	843M12	Back Up O-Ring	4	44	843M44	Trigger	1
13	843M13	Back Up Ring	2	45	843M45	Trigger Rod	1
14	843M14	Frame	1	46	843M46	Trigger Lever	1
17	843M17	Oil Piston	1	47	843M47	Pin	2
18	843M18	Oil Piston O-Ring	2	48	843M48	Pin	2
19	843M19	Back Up Ring	1	49	843M49	O-Ring	1
20	843M20	Frame Cap O-Ring	1	50	843M50	Steel Ball	1
21	843M21	Hanging Clip	1	51	843M51	Valve Cap	1
22	843M22	O-Ring	2	52	843M52	Valve Cap	1
23	843M23	Frame Cap	1	53	843M53	Air Piston O-Ring	1
24	843M24	Rivete Container	1	54	843M54	Air Piston Stem	1
25	843M25	O-Ring	1	55	843M55	Air Piston	1
26	843M26	Rivete Container Cap	1	56	843M56	O-Ring	1
27	843M27	Air Cylinder	1	57	843M57	Cylinder Cap	1
28	843M28	Set Screw	1	58	843M58	Spanner	1
29	843M29	Muffler	1	59	843M59	Spanner Gauge	1