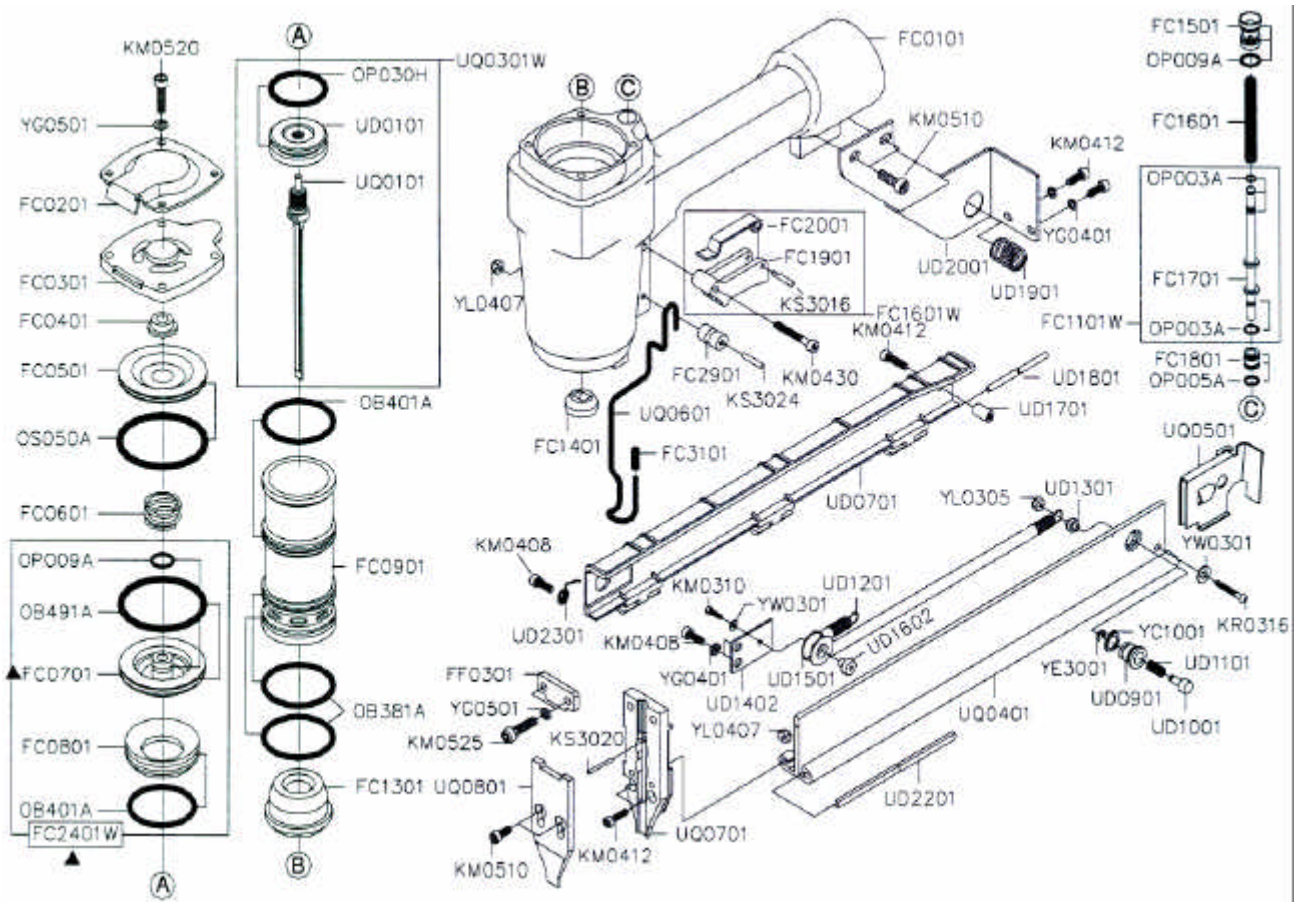




GISON Pneumatic Tools

GP-92/40 Medium Duty Air Stapler



PARTS LIST

✳ : Consuming Part

Item No.	Part No.	Description	Qty.	Item No.	Part No.	Description	Qty.	Item No.	Part No.	Description	Qty.
1	FC0101	Body	1	25	KM0408	Hex.Soc.Hd.Bolt M4x0.7-8L	3	49	UD1301	Pusher Spring Anchor	1
2	FC0201	Exhaust Cap	1	26	KM0412	Hex.Soc.Hd.Bolt M4x0.7-12L	5	50	UD1402	Roller Set	1
3	FC0301	Cylinder Cap	1	27	KM0430	Hex.Soc.Hd.Bolt M4x0.7-30L	1	51	UD1501	Roller	1
4	FC0401	Piston Stop	1	28	KM0510	Hex.Soc.Hd.Bolt M5x0.8-10L	4	52	UD1602	Roller Anchor	1
5	FC0501	Head Valve Cap	1	29	KM0520	Hex.Soc.Hd.Bolt M5x0.8-20L	4	53	UD1701	Distance Shaft	1
6	FC0601	Compression Spring	1	30	KM0525	Hex.Soc.Hd.Bolt M5x0.8-25L	2	54	UD1801	Pivot	1
7	FC0701	Head Valve Seat	1	31	KR0316	Button Hd.Bolt M3x0.5-16L	1	55	UD1901	Spring	1
8	FC0801	Gasket	1	32	KS3016	Spring Pin ø3-16L	1	56	UD2001	Support	1
9	FC0901	Cylinder	1	33	KS3020	Spring Pin ø3.0-20L	1	57	UD2201	Upper Rail	1
10	FC1101W	Trigger Valve Assy.	1	34	KS3024	Spring Pin ø3-24L	1	58	UD2301	Spring	1
11	FC1301	Bumper	1	35	OB381A	O-Ring 37.8x2.5	2	59	UQ0101	Driver	1
12	FC1401	Nozzle	1	36	OB401A	O-Ring 39.8x2.5	2	60	UQ0301W	Driver Assy.	1
13	FC1501	Trigger Valve Cap	1	37	OB491A	O-Ring 49.1x2.5	1	61	UQ0401	Magazine Assy	1
14	FC1601	Spring	1	38	OP003A	O-Ring P3	3	62	UQ0501	Pusher	1
15	FC1601W	Trigger Assy.	1	39	OP005A	O-Ring P5	2	63	UQ0601	Safety	1
16	FC1701	Trigger Valve Stem	1	40	OP009A	O-Ring P9	3	64	UQ0701	Guide Plate	1
17	FC1801	Trigger Valve Seat	1	41	OP030H	O-Ring 29.7x3.5	1	65	UQ0801	Cover Plate (B)	1
18	FC1901	Trigger	1	42	OS050A	O-Ring S50	1	66	YC1001	C-Ring ø10	1
19	FC2001	Contact Lever	1	43	UD0101	Main Piston	1	67	YE3001	E-Ring ø3	1
20	FC2401W	Head Valve Seat Assy.	1	44	UD0701	Door	1	68	YG0401	Spring Washer ø4	4
21	FC2901	Roller	1	45	UD0901	Latch Stud Bushing	1	69	YG0501	Spring Washer ø5	6
22	FC3101	Safety Spring	1	46	UD1001	Pusher Latch Stud	1	70	YL0305	Lock Nut M3x0.5	1
23	FF0301	Cover Plate (A)	1	47	UD1101	Spring	1	71	YL0407	Lock Nut M4x0.7	2
24	KM0310	Hex.Soc.Hd.Bolt M3x0.5-10L	1	48	UD1201	Pusher Spring	1	72	YW0301	Flat Washer ø3	2