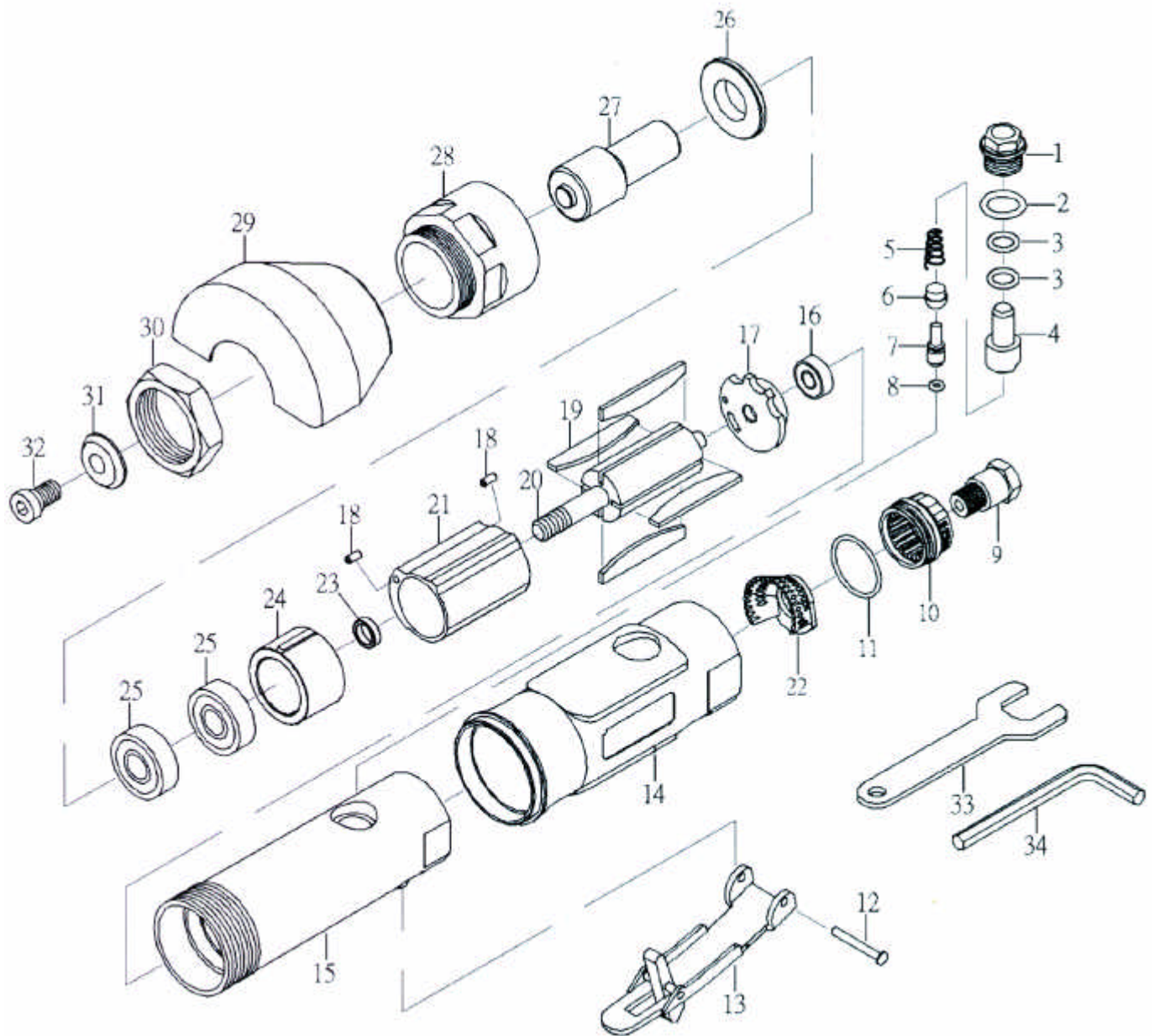




GISON Pneumatic Tools

GP-847SN Hi-speed Air Cutter



PARTS LIST

★ : Consuming Part

Item No.	Part No.	Description	Qty.	Item No.	Part No.	Description	Qty.
01	847SN01	Screw	1	18	847SN18	Pin	2
02	847SN02	O-Ring (P12)	1	19	847SN19	Rotor Blade	4
03	847SN03	O-Ring (P8)	2	20	847SN20	Rotor	1
04	847SN04	Air Regulator	1	21	847SN21	Cylinder	1
05	847SN05	Spring	1	22	847SN22	Cone Muffler	1
06	847SN06	Valve Stem Bushing	1	23	847SN23	Bearing Spacer	1
07	847SN07	Valve Stem	1	24	847SN24	Front Plate	1
08	847SN08	O-Ring (3.5*1.4)	1	25	847SN25	Bearing (608ZZ)	2
09	847SN09	Air Inlet	1	26	847SN26	Washer	1
10	847SN10	Exhaust Sleeve	1	27	847SN27	Disc Retainer	1
11	847SN11	O-Ring (26.7*1.78)	1	28	847SN28	Clamp Nut	1
12	847SN12	Spring Pin	1	29	847SN29	Guard	1
13	847SN13	Lever	1	30	847SN30	Nut	1
14	847SN14	Protecting Rubber	1	31	847SN31	Washer	1
15	847SN15	Housing	1	32	847SN32	Screw (M6*12)	1
16	847SN16	Bearing (696ZZ)	1	33	847SN33	Stop Spanner (14mm)	1
17	847SN17	Rear Plate	1	34	847SN34	Hex (5mm)	1