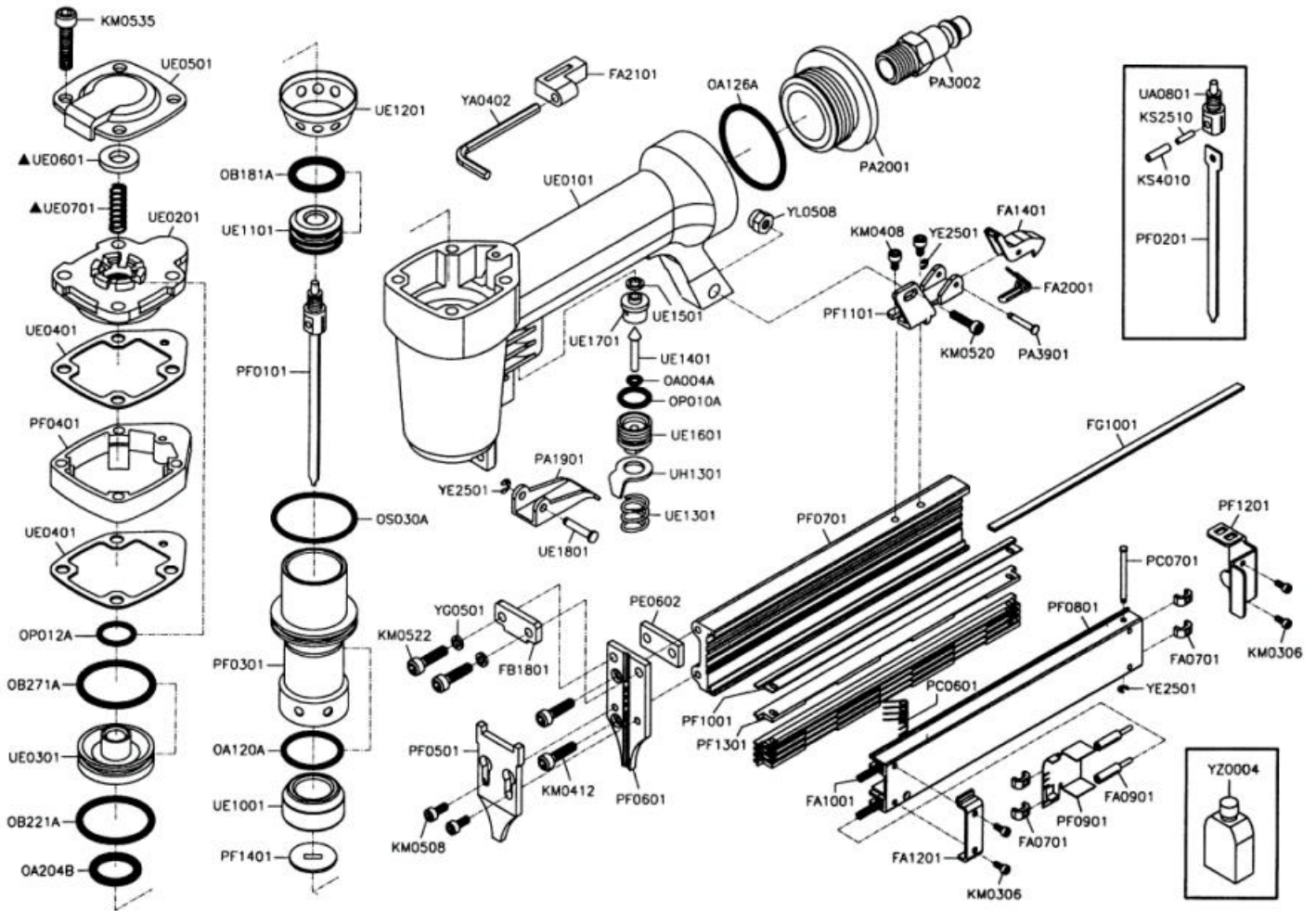


# 吉生 GISON

## GP-P0.8/30 Fine Pinner & Finish Nailers



### PARTS LIST

☛ : Consuming Part

Item No.	Part No.	Description	Qty.	Item No.	Part No.	Description	Qty.	Item No.	Part No.	Description	Qty.
1	FA0701	Stopper	4	25	OB271A	O-Ring (26.8 x2.4)	1	49	PF1401	NOZZLE	1
2	FA0901	Pusher Pin	2	26	OP101A	O-Ring (P10)	1	50	UA0801	STEM	1
3	FA1001	Pusher Spring	2	27	OP012A	O-Ring (P12)	1	51	UE0101	BODY	1
4	FA1201	Pusher Stop	1	28	OS030A	O-Ring (S30)	1	52	UE0201	CYLINDER CAP	1
5	FA1401	Latch	1	29	PA1901	TIRGGER PIN	1	53	UE0301	HEAD VALVE PISTON	1
6	FA2001	Latch Spring	1	30	PA2001	END CAP	1	54	UE0401	CAP SEAL	2
7	FA2101	Wrench Set	1	31	PA3002	COUPLING PLUG (1/4")	1	55	UE0501	EXHAUST STOP	1
8	FB1801	Cover Plate (A)	1	32	PA3901	LATCH PIN	1	56	UE0601	PISTON STOP	1
9	FG1001	Bar	1	33	PC0601	SPRING	5	57	UE0701	COMPRESSION SPRING	1
10	KM0306	Hex.Soc.Hd.Bolt (M3 x0.5-6L)	4	34	PC0701	PIN	1	58	UE1001	BUMPER	1
11	KM0408	Hex.Soc.Hd.Bolt (M4 x0.7-8L)	2	35	PE0602	SPACER	1	59	UE1101	MAIN PISTON	1
12	KM0412	Hex.Soc.Hd.Bolt (M4 x0.7-12L)	2	36	PF0101	DRIVER ASSY.	1	60	UE1201	COLLAR	1
13	KM0508	Hex.Soc.Hd.Bolt (M5 x0.8-8L)	2	37	PF0201	DRIVER	1	61	UE1301	COMPRESSION SPRING	1
14	KM0520	Hex.Soc.Hd.Bolt (M5 x0.8-20L)	1	38	PF0301	CYLINDER	1	62	UE1401	TRIGGER VALVE STEM	1
15	KM0522	Hex.Soc.Hd.Bolt (M5 x0.8-22L)	2	39	PF0401	CAP	1	63	UE1501	SEAL	1
16	KM0535	Hex.Soc.Hd.Bolt (M5 x0.8-35L)	4	40	PF0501	COVER PLATE (B)	1	64	UE1601	TRIGGER VALVE GUIDE	1
17	KS2510	Spring Pin (Ø2.5-10L)	1	41	PF0601	GUIDE PLATE	1	65	UE1701	TRIGGER VALVE SEAT	1
18	KS4010	Spring Pin (Ø4-10L)	1	42	PF0701	MAGAZINE SEAT	1	66	UE1801	TRIGGER	1
19	OA004A	O-Ring (1.8 x1.8)	1	43	PF0801	MAGAZINE CAP	1	67	UH1301	TRIGGER STOP	1
20	OA120A	O-Ring (ARP568-120)	1	44	PF0901	PUSHER	1	68	YA0402	HEX.BAR WRENCH (D4)	1
21	OA126A	O-Ring (ARP568-126)	1	45	PF1001	FIXED PLATE SEAT	5	69	YE2501	E-RING (Ø2.5)	3
22	OA204B	O-Ring (1B)	1	46	PF1101	SUPPORT	1	70	YG0501	SRPING WASHER (Ø5)	2
23	OB181A	O-Ring (17.7 x8)	1	47	PF1201	STOP PLATE	1	71	YL0508	LOCK NUT (M5 x0.8)	1
24	OB221A	O-Ring (22 x8)	1	48	PF1301	FIXED PLATE	5	72	YZ0004	OIL BOX	1