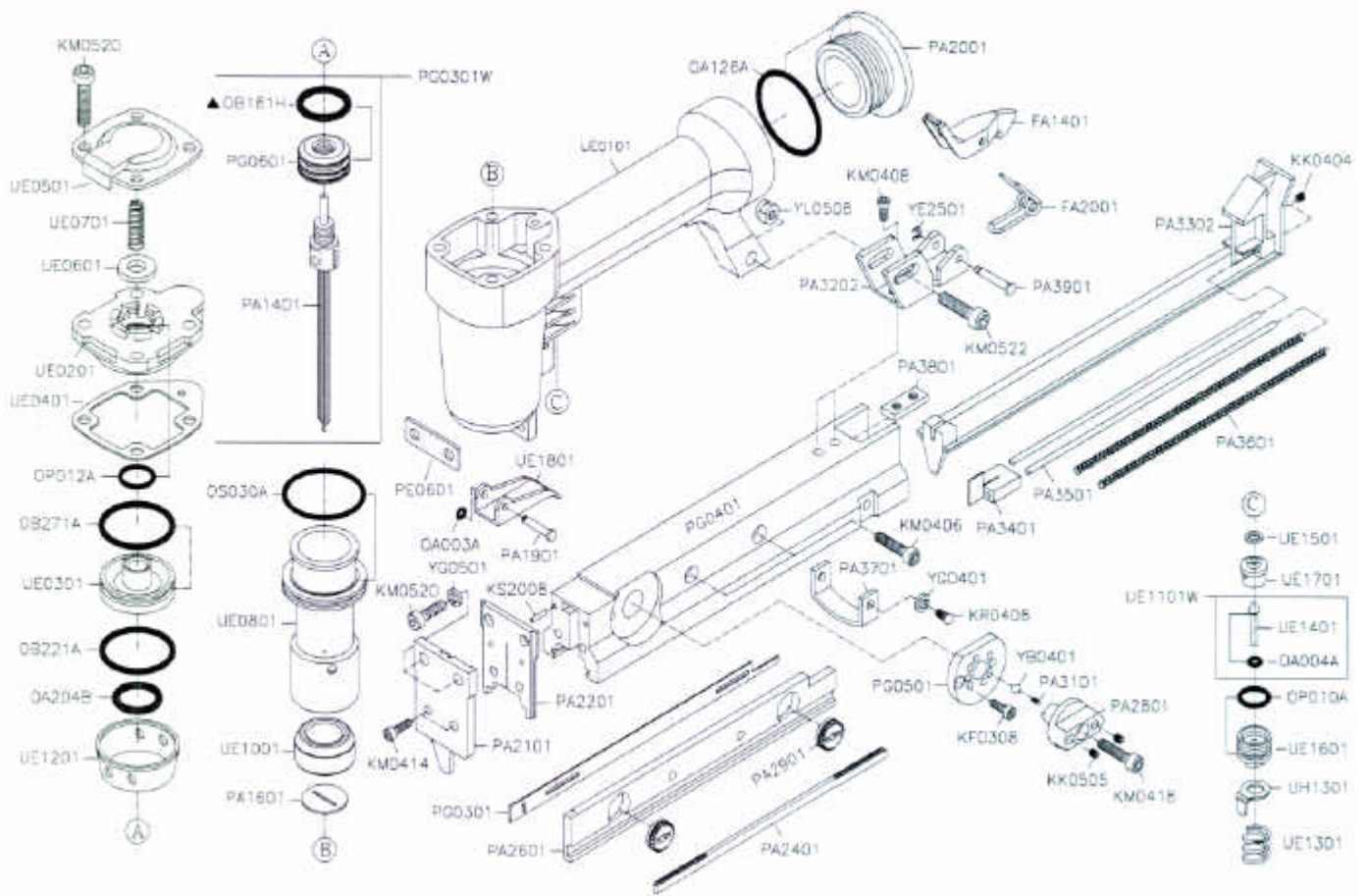


GISON Pneumatic Tools

GP-P0.6/22 Extra Fine Headless Pinner



PARTS LIST

✿ :Consuming Part

No.	Part No.	Description	Qty.	No.	Part No.	Description	Qty.	No.	Part No.	Description	Qty.
1	FA1401	Latch	1	25	PA1601	Nozzle	1	49	UE0101	Body	1
2	FA2001	Spring	1	26	PA1901	Pin	1	50	UE0201	Cylinder Cap	1
3	KF0308	Flat Hd.Bolt M3x0.5-8L	1	27	PA2001	End Cap	1	51	UE0301	Head Valve Piston	1
4	KK0404	Hex.Soc.Set. Screw M4x0.7-4L	2	28	PA2101	Cover Plate	1	52	UE0401	Cap Seal	1
5	KK0505	Hex.Soc.Set. Screw M5x0.8-5L	2	29	PA2201	Guide Plate	1	53	UE0501	Exhaust Cap	1
6	KM0406	Hex.Soc.Hd.Bolt M4x0.7-6L	2	30	PA2401	Gear Rack	1	54	UE0601	Piston Stop	1
7	KM0408	Hex.Soc.Hd.Bolt M4x0.7-8L	2	31	PA2601	Adjustable Seat	1	55	UE0701	Compression Spring	1
8	KM0414	Hex.Soc.Hd.Bolt M4x0.7-14L	2	32	PA2801	Adjustable Roller	1	56	UE0801	Cylinder	1
9	KM0418	Hex.Soc.Hd.Bolt M4x0.7-18L	1	33	PA2901	Gear Wheel	2	57	UE1001	Bumper	1
10	KM0520	Hex.Soc.Hd.Bolt M5x0.8-20L	6	34	PA3101	Compression Spring	2	58	UE1101W	Trigger Valve Assy.	1
11	KM0522	Hex.Soc.Hd.Bolt M5x0.8-22L	1	35	PA3202	Support	1	59	UE1201	Collar	1
12	KR0408	Button Hd. Bolt M4x0.7-8L	2	36	PA3302	Magazine Seat Set	1	60	UE1301	Compression Spring	1
13	KS2008	Spring Pin ø2-8L	2	37	PA3401	Pusher	1	61	UE1401	Trigger Valve Stem	1
14	OA003A	O-Ring ARP568-003	1	38	PA3501	Guide Stem	2	62	UE1501	Seal	1
15	OA004A	O-Ring ARP568-004	1	39	PA3601	Pusher Spring	2	63	UE1601	Trigger Valve Guide	1
16	OA126A	O-Ring ARP568-126	1	40	PA3701	Magazine Retainer	1	64	UE1701	Trigger Valve Seat	1
17	OA204B	O-Ring ARP568-204	1	41	PA3801	Fixed Block	1	65	UE1801	Trigger	1
18	OB181H	O-Ring 17.7x3.0	1	42	PA3901	Pin	1	66	UH1301	Trigger Stop	1
19	OB221A	O-Ring 22x3	1	43	PE0601	Spacer	1	67	YB0401	Steel Ball ø4	2
20	OB271A	O-Ring 26.8x2.4	1	44	PG0301	Adjustable Plate	1	68	YE2501	E-Ring ø2.5	1
21	OP010A	O-Ring P10	1	45	PG0301W	Driver Assy.	1	69	YG0401	Spring Washer ø4	2
22	OP012A	O-Ring P12	1	46	PG0401	Magazine Cap	1	70	YG0501	Spring Washer ø5	2
23	OS030A	O-Ring S-30	1	47	PG0501	Fixed Roller	1	71	YL0508	Lock Nut M5x0.8	1
24	PA1401	Driver Set	1	48	PG0601	Main Piston	1				