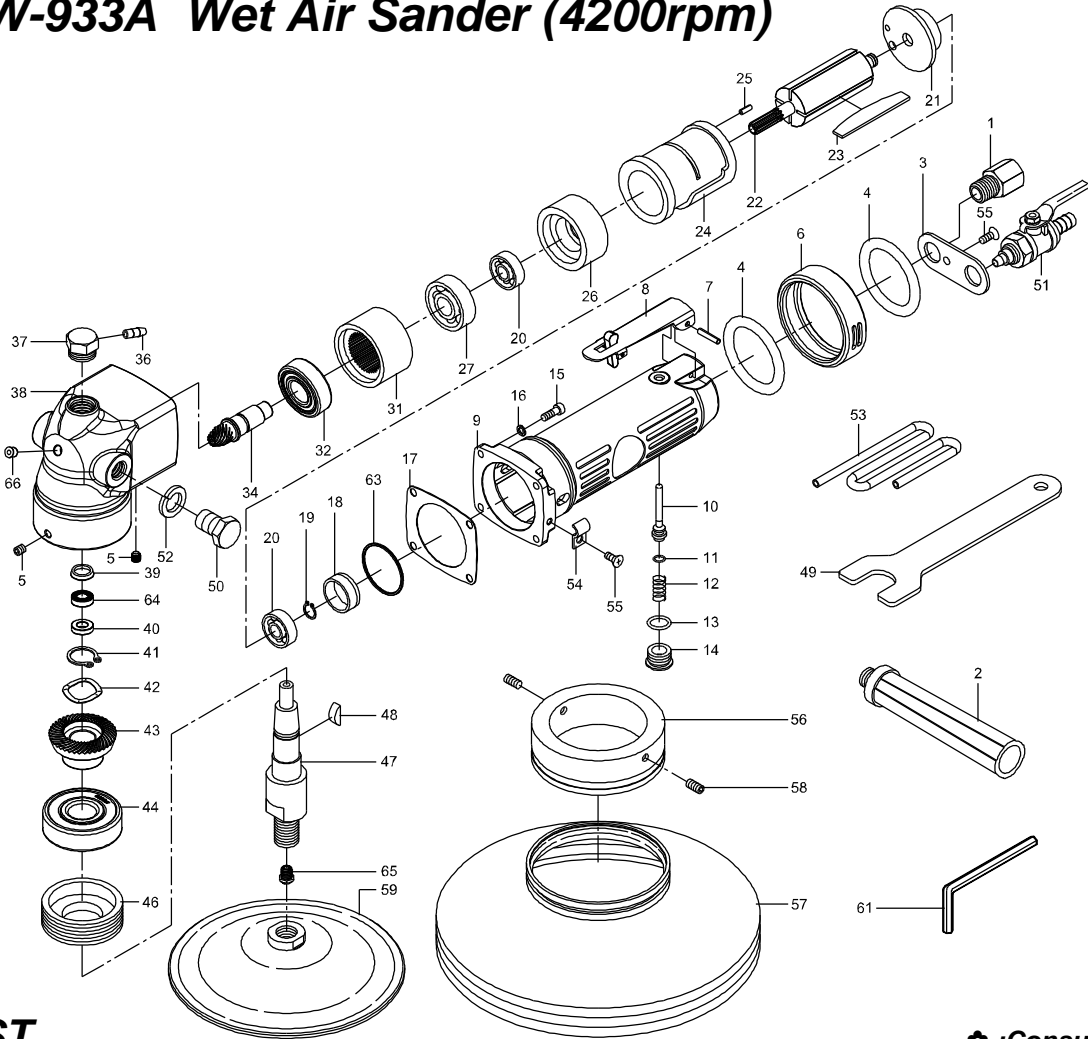




GISON Pneumatic Tools

GPW-933A Wet Air Sander (4200rpm)



PARTS LIST

✳ : Consuming Part

Item No.	Part No.	Description	Qty.	Item No.	Part No.	Description	Qty.
01	929001	Hose Adapter	1	34	933034A	Bevel Pinion	1
02	832006	Grip	1	36	933036	Inlet Pipe	1
03	933003	Fixed Plate	1	37	933037	Rubber Tube Screw	1
04	OR037	O-Ring	2	38	933038	Body	1
05	MS002	Screw	2	39	SG009	Oil Seal	1
06	933006	Silencer	1	40	933040	Valve Bushing	1
07	SP026	Spring Pin	1	41	C15	Retaining Ring	1
08	829005A	Safety Lever	1	42	WW15	Spring Washer	1
09	933009	Handle	1	43	933043A	Bevel Gear	1
10	832059	Valve Pin	1	44	B6303LLU	Ball Bearing	1
11	OR034	O-Ring	1	46	933046	Nut	1
12	S028	Valve Spring	1	47	933047	Gear Shaft	1
13	OR033	O-Ring	1	48	KR003	Key	1
14	832052	Valve Screw	1	49	829048	Stop Spanner	1
15	CAP020	Cap Screw	4	50	MK12X12	Screw	1
16	SPW4	Washer	4	51	933051	Water Valve	1
✳ 17	933017	Gasket	1	52	SPW12	Spring Washer	1
18	829015	Bearing Rubber Cap	1	53	933053	PU Tube	1
19	C8	Retaining Ring	1	54	933054	Fixed	1
20	B608ZZ	Ball Bearing	2	55	MC002	Screw	2
21	829018	Rear Plate	1	56	933056	Guard Ring	1
22	829020	Rotor	1	57	933057	Protector	1
✳ 23	829019	Rotor Blade	4	58	MS008	Screw	2
24	829022GH	Cylinder	1	59	933059	Pad	1
25	SP025	Spring Pin	1	61	933061	Spanner 2.5 mm	1
26	829023	Front Plate	1	63	933063	Washer	1
27	B6201	Ball Bearing	1	64	B688ZZ	Ball Bearing	1
31	933031	Internal Gear	1	65	829055W	Water Exit	1
32	B6202ZZ	Ball Bearing	1	66	221A10800	Grease Hole	1