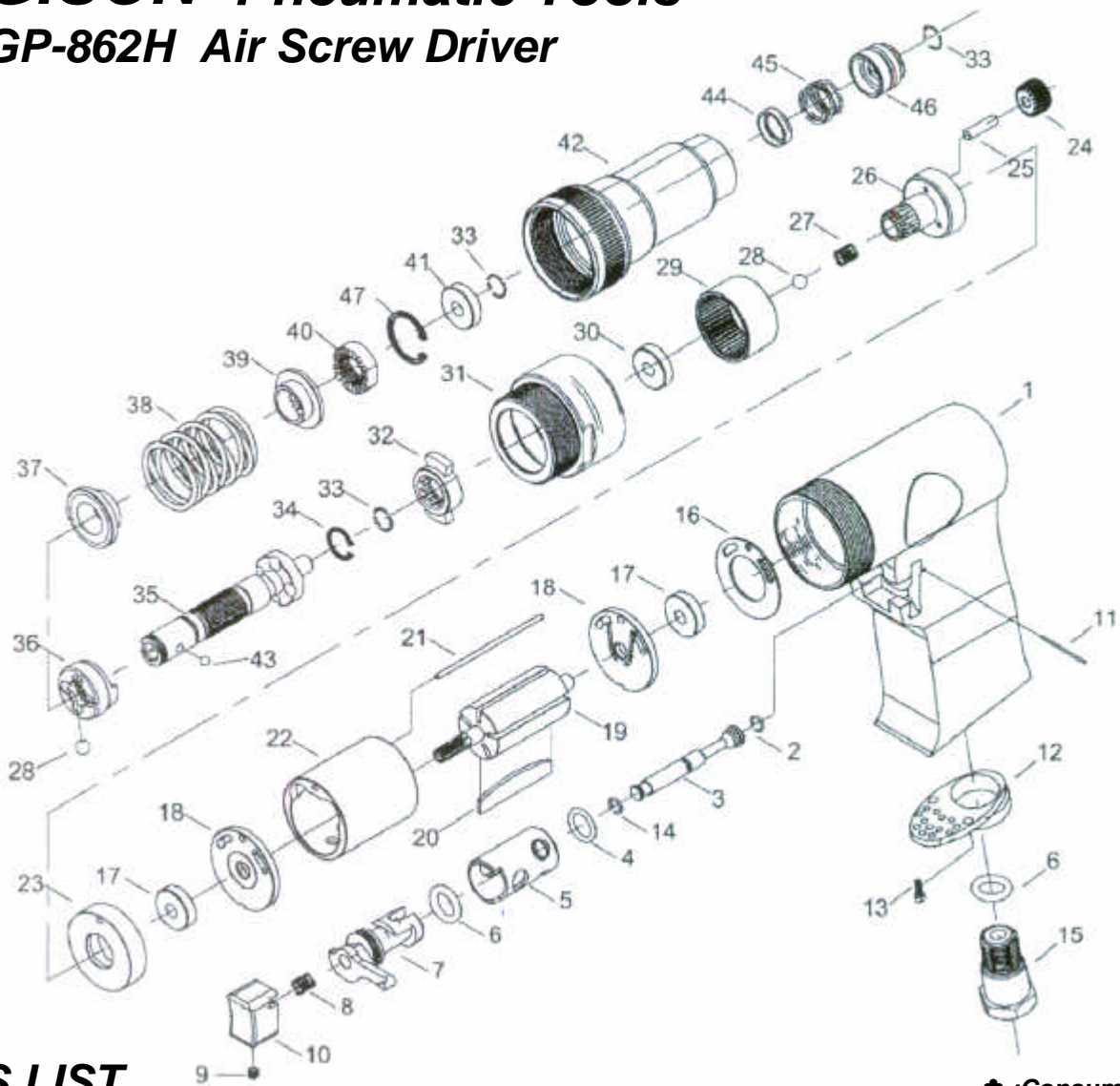




GISON Pneumatic Tools

GP-862H Air Screw Driver



PARTS LIST

✳ : Consuming Part

Item No.	Part No.	Description	Qty.	Item No.	Part No.	Description	Qty.
1	862H01	Housing	1	25	862H25	Idler Gear Pin	3
2	862H02	O-Ring	1	26	862H26	Idler Gear Plate	1
3	862H03	Valve Stem	1	27	862H27	Spring	1
4	862H04	O-Ring	1	28	862H28	Steel Ball	5
5	862H05	Reverse Bushing	1	29	862H29	Thread Ring Gear	1
6	862H06	O-Ring	2	30	862H30	Ball Bearing	1
7	862H07	Reverse Valve	1	31	862H31	Clamp Nut	1
8	862H08	Valve Spring	1	32	862H32	Drive Cam	1
9	862H09	Set Screw	1	33	862H33	Thrust Ring Lock	3
10	862H10	Set Screw Trigger	1	34	862H34	Retainer Spring	1
11	862H11	Spring Pin	1	35	862H35	Anvil	1
12	862H12	Exhaust Diffuser	1	36	862H36	Clutch Carrier	1
13	862H13	Screw	2	37	862H37	Clutch Washer	1
14	862H14	O-Ring	1	38	862H38	Clutch Spring	1
15	862H15	Air Inlet	1	39	862H39	Clutch Upper Washer	1
16	862H16	Motor Gasket	1	40	862H40	Adjust Ring	1
17	862H17	Ball Bearing	2	41	862H41	Ball Bearing	1
18	862H18	End Plate	2	42	862H42	Clutch Case Assembly	1
19	862H19	Rotor	1	43	862H43	Locating Steel Ball	1
20	862H20	Rotor Blades	5	44	862H44	Thrust Ring	1
21	862H21	Pin	1	45	862H45	Retaining Sleeve Spring	1
22	862H22	Cylinder	1	46	862H46	Retaining Sleeve	1
23	862H23	Front Bearing Plate	1	47	862H47	Retaining Ring	1
24	862H24	Idler Gear	3				