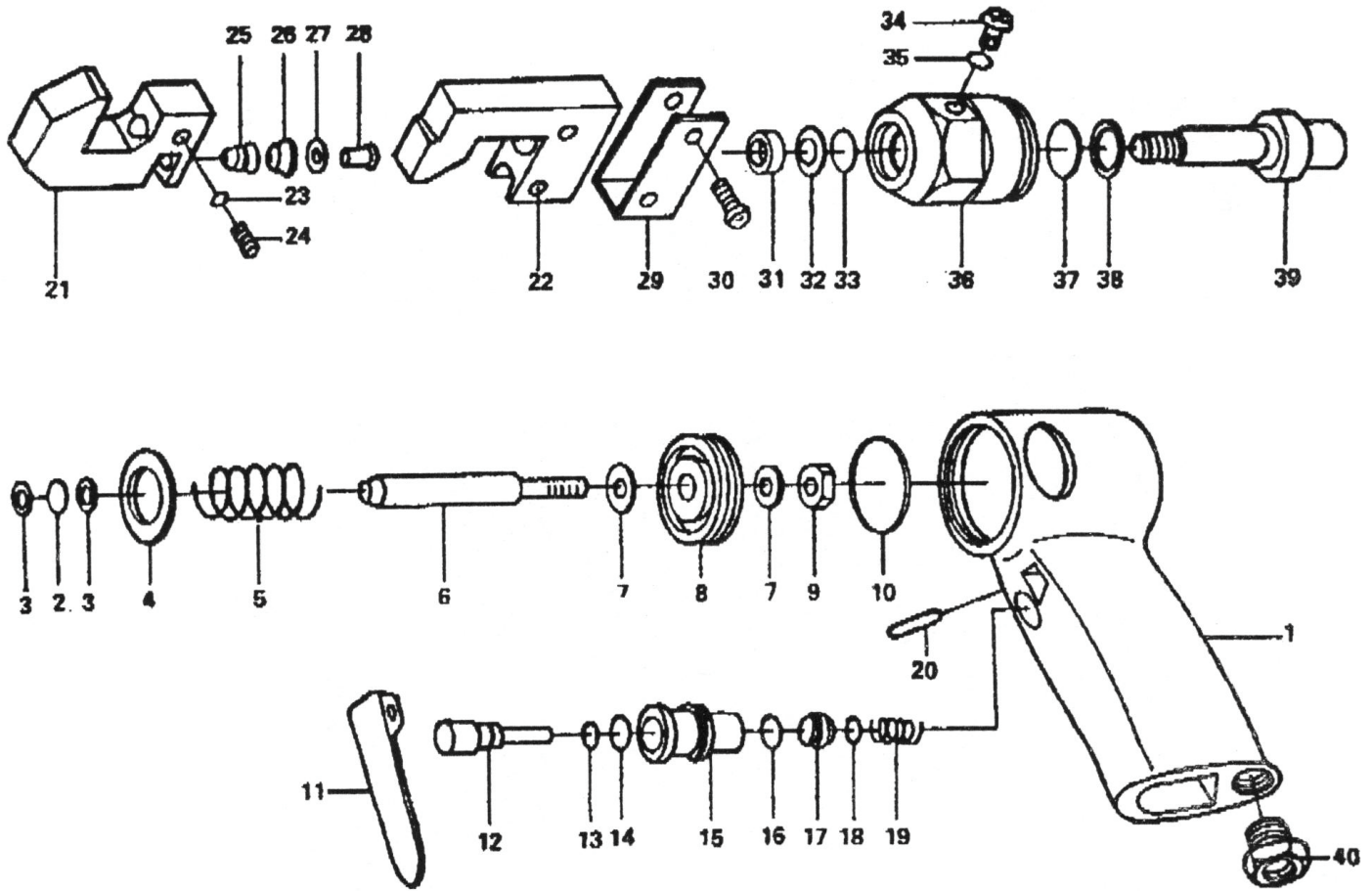




# GISON Pneumatic Tools

## GP-842P Air Punch/Flange Tool



### PARTS LIST

★ : Consuming Part

No.	Part No.	Description	Qty.	No.	Part No.	Description	Qty.
1	842P01	Body	1	21	842P21	Clamp A	1
2	842P02	O-Ring	1	22	842P22	Clamp B	1
3	842P03	Back Up Ring	2	23	842P23	Seal	1
4	842P04	Spacer	1	24	842P24	Set Screw	1
5	842P05	Spring	1	25	842P25	Punch Die IE	1
6	842P06	Piston Rod	1	26	842P26	Guide Bushing	1
7	842P07	Washer	2	27	842P27	Washer	11
8	842P08	Piston	1	28	842P28	Punch	1
9	842P09	Nut	1	29	842P29	Guard	1
10	842P10	O-Ring	1	30	842P30	Screw	2
11	842P11	Throttle Lever	1	31	842P31	Oil Seal	1
12	842P12	Pin Valve	1	32	842P32	Back Up Ring	1
13	842P13	O-Ring	1	33	842P33	O-Ring	1
14	842P14	O-Ring	1	34	842P34	Oil Plug	1
15	842P15	Throttle Bushing	1	35	842P35	O-Ring	1
16	842P16	O-Ring	1	36	842P36	Lock Nut	1
17	842P17	Throttle Valve	1	37	842P27	O-Ring	1
18	842P18	O-Ring	1	38	842P38	Back Up Ring	1
19	842P19	Spring	1	39	842P39	Piston	1
20	842P20	Lever Pin	1	40	842P40	Inlet Bushing	1