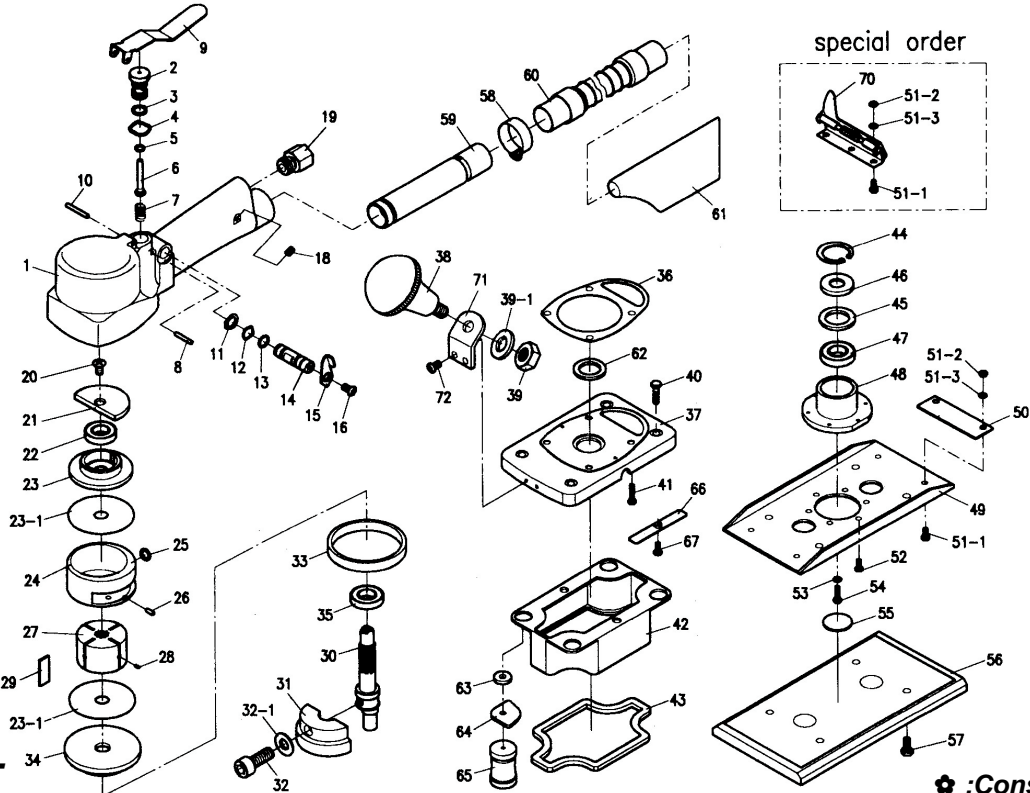




# GISON Pneumatic Tools

## GP-934SD Dust Free Orbital Sander



### PARTS LIST

⚙️ : Consuming Part

Item No.	Part No.	Description	Qty.	Item No.	Part No.	Description	Qty.
01	934SD01	Body	1	38	934SD38	Front Knob	1
02	934SD02	Valve Pin Sleeve	1	39	934SD39	3/8" Nut	1
03	934SD03	O-Ring (P8)	2	39-1	934SD39-1	Spring Washer (3/8")	1
04	934SD04	Wave Washer (WW-12)	1	40	934SD40	Screw (M5x15)	4
05	934SD05	O-Ring (Ø4xØ7)	1	41	934SD41	Screw (M5x15)	4
06	934SD06	Valve	1	42	934SD42	Skirt	1 (set)
07	934SD07	Valve Spring	1	43	934SD43	Skirt Felt	(2)
08	934SD08	Needle Pin (Ø3x18)	1	44	934SD44	Snap Ring (R26)	1
09	934SD09	Valve Lever	1	45	934SD45	Felt Ring (Ø22)	1
10	934SD10	Spring Pin (Ø3x20)	1	46	934SD46	Dust Seal	1
11	934SD11	Snap Ring (S-10)	2	47	934SD47	Bearing (6000LLB)	2
12	934SD12	Wave Washer (WW-10)	1	48	934SD48	Shoe Bearing Case	1
13	934SD13	O-Ring (P6)	2	49	934SD49	Shoe	1
14	934SD14	Regulator	1	50	934SD50	Clip Weight (Velcro Face Pad)	2
15	934SD15	Regulator Lever	1	70	934SD70	Clip (Set) (Vinyl Face Pad)	
16	934SD16	Screw (M4x6)	1	<b>Screw Set</b>			
17	934SD17	Hose Clamps (1-1/2")	1	51-1	934SD51-1	Screw (M4x8)	(4)
18	934SD18	Set Bolt (M4x6)	1	51-2	934SD51-2	Nut (M4)	(4)
19	934SD19	1/4" OM Nipple	1	51-3	934SD51-3	Washer (AW04)	(4)
20	934SD20	Screw (M5x12)	1	52	934SD52	Screw (M4x8)	6
21	934SD21	U-Balancer	1	53	934SD53	Washer (AW08)	1
22	934SD22	Bearing (6200ZZ)	1	54	934SD54	Screw (M5x10)	1
23	934SD23	U-Bearing Case	1	55	934SD55	Ø23 Packing	1
23-1	934SD23-1	Side Plate	1	56	934SD56-1	Pad MP (Vinyl Face)	1
24	934SD24	Cylinder	1		934SD56-2	Pad LP (Velcro Face)	
25	934SD25	O-Ring (P6)	1	57	934SD57	Screw (M5x10)	4
26	934SD26	Spring Pin (Ø3x5)	1	58	934SD58	Hose Clamps (1-1/2")	1
27	934SD27	Rotor	1	59	934SD59	Ejector	1
28	934SD28	Vane Spring	4	60	934SD60	Dust Hose Set	1 (set)
29	934SD29	Vane	4	61	934SD61	Bag	1
30	934SD30	Rotor Shaft	1	62	934SD62	Felt Ring	1
31	934SD31	L-Balancer	1	63	934SD63	Support Washer	4
32	934SD32	Cap Screw (M5x25)	1	64	934SD64	Skirt Clamper	4
32-1	934SD32-1	Spring Washer (M5)	1	65	934SD65	Support	4
33	934SD33	Spacer	1	66	934SD66	Skirt Liner	2
34	934SD34	L-Bearing Case	1	67	934SD67	Screw (M4x6)	1
35	934SD35	Bearing (6201ZZ)	1	71	934SD71	Bracket	1
36	934SD36	Body Gasket	1	72	934SD72	Cap Screw (M5x10)	2
37	934SD37	Base Plate	1				