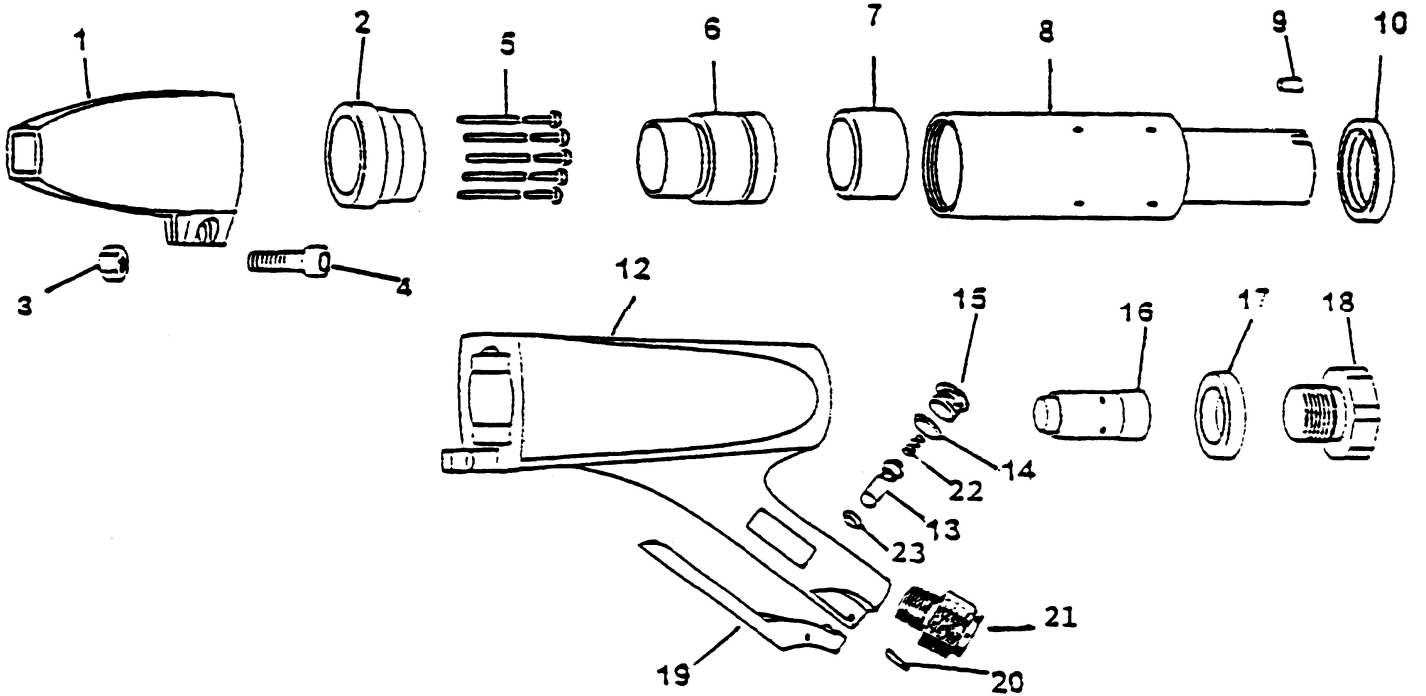




GISON Pneumatic Tools

GP-851G Air Needle Scaler



PARTS LIST

✳ :Consuming Part

Item No.	Part No.	Description	Qty.	Item No.	Part No.	Description	Qty.
1	851G01	Needle Guide Ass'y	1	12	851G12	Housing Sub Ass'y	1
2	851G02	Lock Ring	1	13	851G13	Throttle Valve Ass'y	1
3	851G03	Nut	1	14	851G14	Valve Packing	1
4	851G04	Hexagon Socket Head Bolt	1	15	851G15	Valve Cap	1
5	851G05	Needle 3x180 mm	23	16	851G16	Piston	1
	851G05a	Needle 2x180 mm	53	17	851G17	Rear Washer	1
6	851G06	Needle Supporter 3 mm	1	18	851G18	Rear Plug Ass'y	1
	851G06a	Needle Supporter 2 mm	1	19	851G19	Throttle Lever	1
7	851G07	Throttle Anvil	1	20	851G20	Spring Pin 3x20	1
8	851G08	Cylinder	1	21	851G21	Air Inlet Bushing	1
9	851G09	Cylinder Lock Pin	1	22	851G22	Throttle Spring	1
10	851G10	Front Washer	1	23	851G23	O-Ring	1