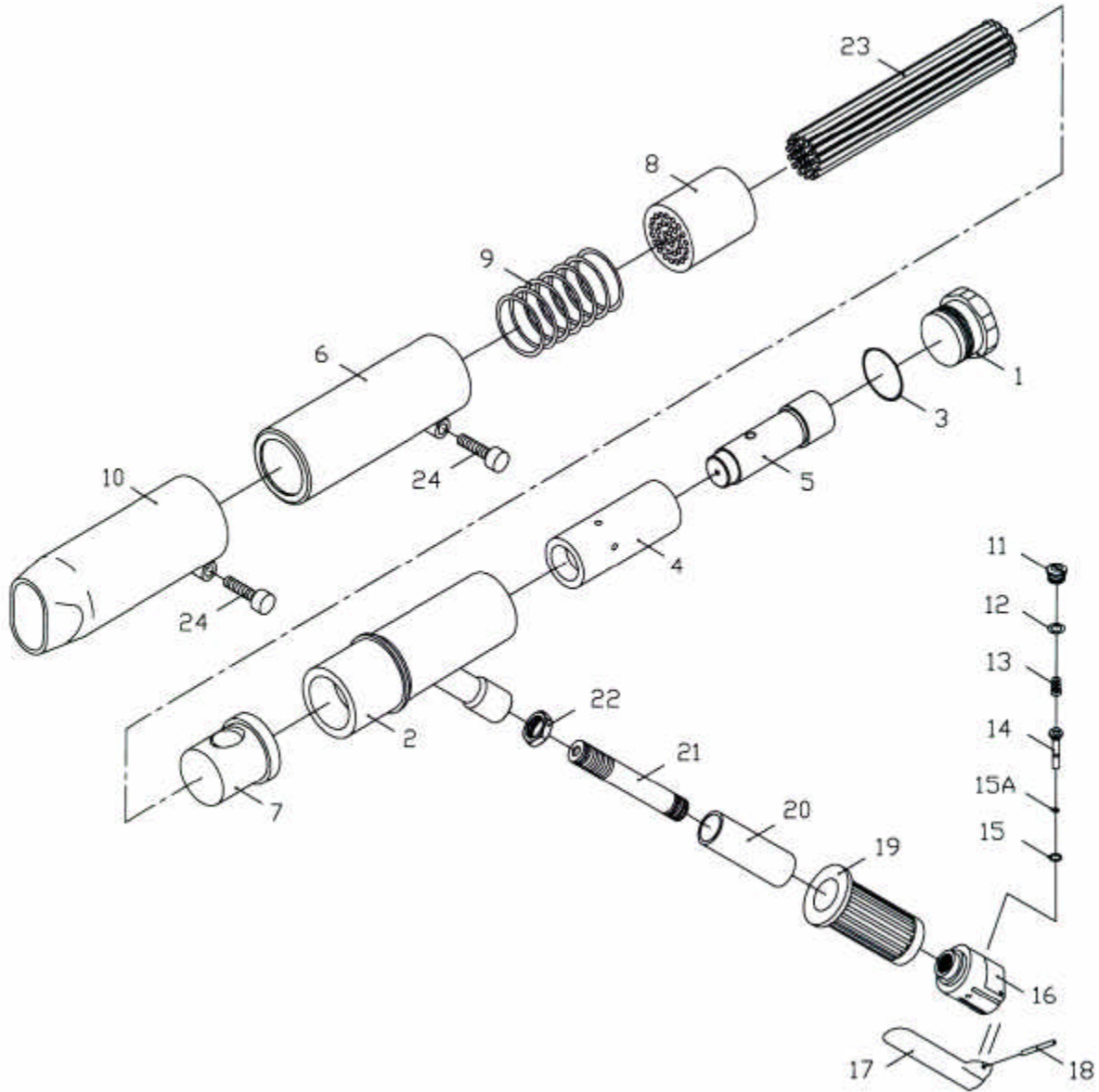




# GISON Pneumatic Tools

## GP-851D Air Needle Scaler



### PARTS LIST

✳ : Consuming Part

Item No.	Part No.	Description	Qty.	Item No.	Part No.	Description	Qty.
1	851D01	Body Cap	1	14	851D14	Valve Stem	1
2	851D02	Body	1	15	851D15	O-Ring (P5)	1
3	851D03	O-Ring (P32)	1	15A	851D15A	O-Ring (2.5*1.5)	1
4	851D04	Cylinder	1	16	851D16	Valve Body	1
5	851D05	Piston	1	17	851D17	Trigger	1
6	851D06	Needle Cover	1	18	851D18	Pin (3*24)	1
7	851D07	Driver	1	19	851D19	Rubber Handle Grip	1
8	851D08A	3mm Needle Holder	1	20	851D20	Handle Tube	1
	851D08B	4mm Needle Holder		21	851D21	Centre Tube	1
9	851D09	Spring	1	22	851D22	Nut	1
10	851D10	Front Tube	1	23	851D23A	3mm Needle Set	28
11	851D11	Valve Screw	1		851D23B	4mm Needle Set	19
12	851D12	O-Ring (8*2.5)	1	24	851D24	Cap Head Screw	2
13	851D13	Spring	1				