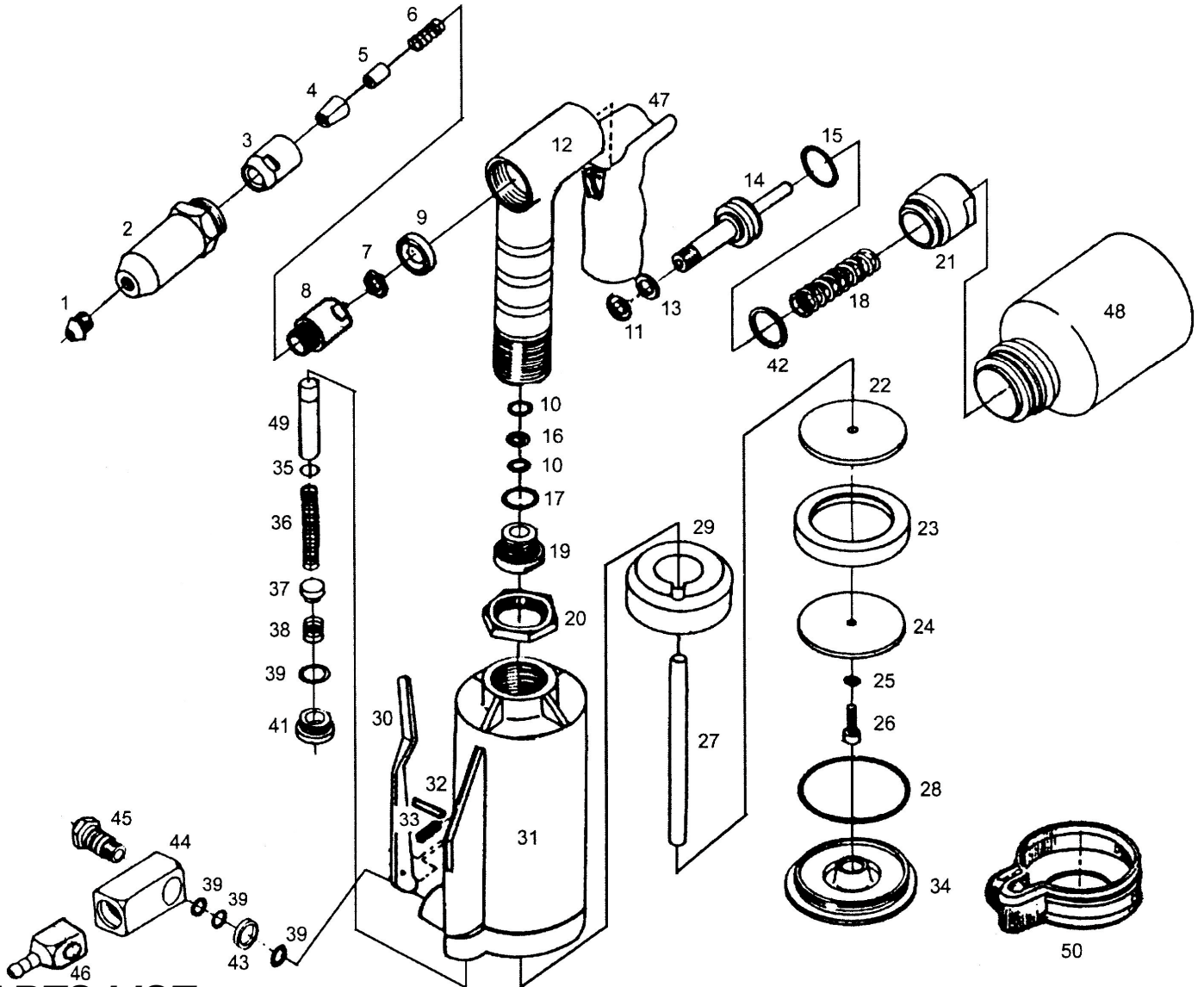




# GISON Pneumatic Tools

## GP-501 3/16" Air Hydraulic Riveter



### PARTS LIST

✳ : Consuming Part

| No. | Part No. | Description               | Qty. | No. | Part No. | Description                | Qty. |
|-----|----------|---------------------------|------|-----|----------|----------------------------|------|
| 01  | 501001   | 3/16" Nosepiece           | 1    | 26  | 501026   | Piston Head Lock Screw     | 1    |
| 02  | 501002   | Head                      | 1    | 27  | 501027   | Plunger Rod                | 1    |
| 03  | 501003   | Jaw Housing               | 1    | 28  | 501028   | O-Ring Seal                | 1    |
| 04  | 501004   | Jaws                      | 1    | 29  | 501029   | Damping Ring               | 1    |
| 05  | 501005   | Jaw Pusher                | 1    | 30  | 501030   | Trigger Arm                | 1    |
| 06  | 501006   | Spring                    | 1    | 31  | 501031   | Air Cylinder Body          | 1    |
| 07  | 501007   | Nut                       | 1    | 32  | 501032   | Roll Pin                   | 1    |
| 08  | 501008   | Jaw Housing Coupler       | 1    | 33  | 501033   | Spring                     | 1    |
| 09  | 501009   | Wiper Ring                | 1    | 34  | 501034   | Air Cylinder Cap           | 1    |
| 10  | 501010   | O-Ring Seal               | 2    | 35  | 501035   | O-Ring Valve Tube          | 1    |
| 11  | 501011   | O-Ring Washer             | 1    | 36  | 501036   | Valve Spring               | 1    |
| 12  | 501012   | Hydraulic Section         | 1    | 37  | 501037   | Valve Plate                | 1    |
| 13  | 501013   | O-Ring Seal               | 1    | 38  | 501038   | Valve Pressure Spring      | 1    |
| 14  | 501014   | Hydraulic Plunger         | 1    | 39  | 501039   | O-Ring Seal                | 4    |
| 15  | 501015   | O-Ring Seal               | 1    | 40  | 501040   | Wrench                     | 1    |
| 16  | 501016   | O-Ring Washer             | 1    | 41  | 501041   | Screw Plug                 | 1    |
| 17  | 501017   | O-Ring Seal               | 1    | 42  | 501042   | O-Ring Washer              | 1    |
| 18  | 501018   | Hydraulic Return Spring   | 1    | 43  | 501043   | Sealing Washer             | 1    |
| 19  | 501019   | Hydraulic Rod Guide       | 1    | 44  | 501044   | 1/4" Air Inlet Fitting (F) | 1    |
| 20  | 501020   | Lock Nut                  | 1    | 45  | 501045   | Air Inlet Plug             | 1    |
| 21  | 501021   | Screw Plug                | 1    | 46  | 501046   | 1/4" Air Inlet Fitting (M) | 1    |
| 22  | 501022   | Front Piston Head Disc    | 1    | 47  | 501047   | Hand Grip                  | 1    |
| 23  | 501023   | Piston Head Packing Ring  | 1    | 48  | 501048   | Plastic Bottle             | 1    |
| 24  | 501024   | Rear Piston Head Disc     | 1    | 49  | 501049   | Valve Tube                 | 1    |
| 25  | 501025   | Piston Head Spring Washer | 1    | 50  | 501050   | Rubber Cushion             | 1    |