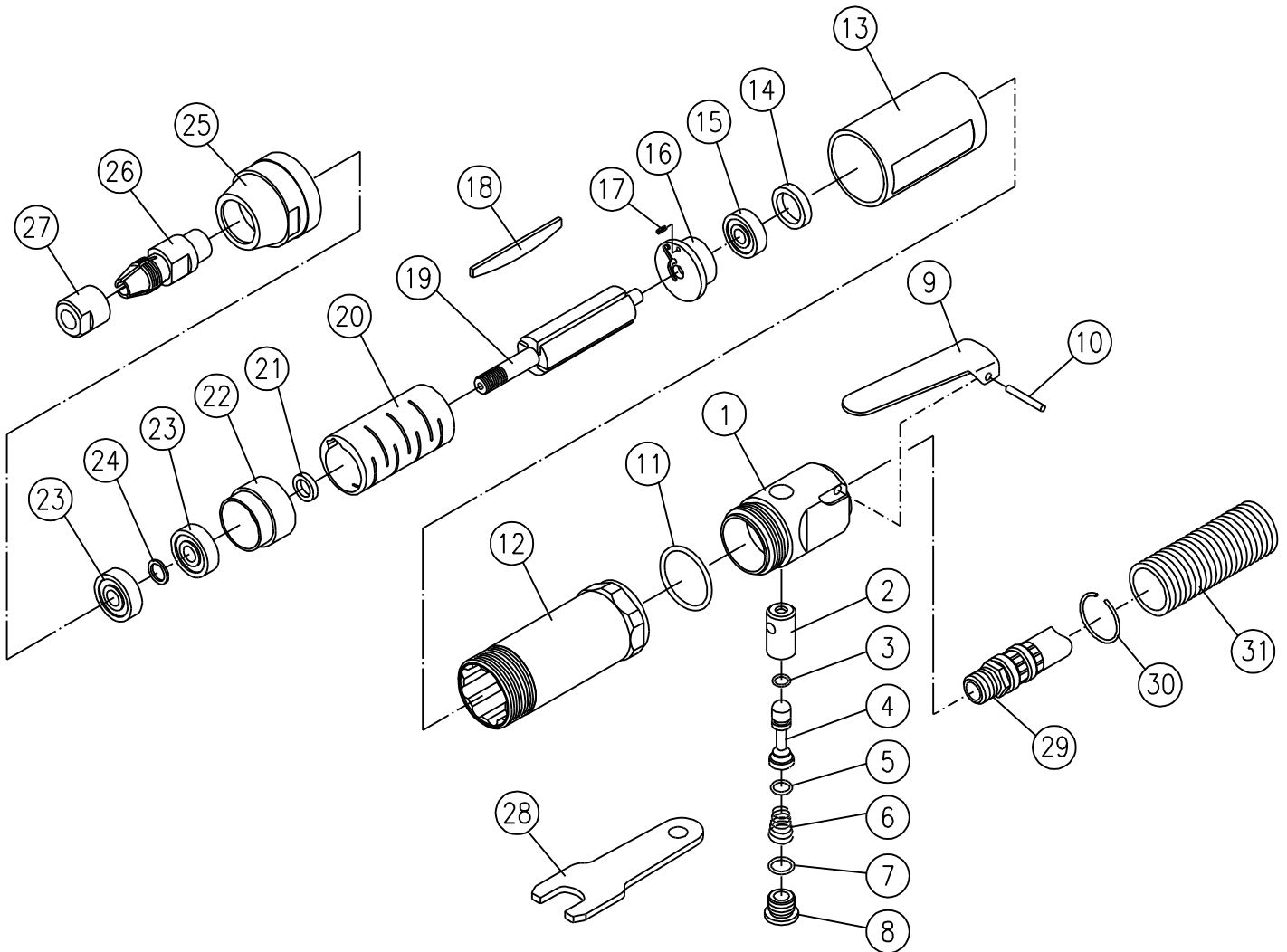




GISON Pneumatic Tools

GP-824JC Air Die Grinder



PARTS LIST

✳ : Consuming Part

Item No.	Part No.	Description	Qty.	Item No.	Part No.	Description	Qty.
1	824JC01	Body Handle	1	17	824JC17	Roll Pin	1
2	824JC02	Valve Bushing	1	18	824JC18	Rotor Blade	4
3	824JC03	O-Ring	1	19	824JC19	Rotor	1
4	824JC04	Valve Stem	1	20	824JC20	Cylinder	1
5	824JC05	O-Ring	1	21	824JC21	Spacer	1
6	824JC06	Spring	1	22	824JC22	Plate Front	1
7	824JC07	O-Ring	1	23	824JC23	Ball Bearing	2
8	824JC08	Valve Screw	1	24	824JC24	Spacer	1
9	824JC09	Lever Throttle	1	25	824JC25	Clamp Nut	1
10	824JC10	Pin	1	26	824JC26	Collet	1
11	824JC11	O-Ring	1	27	824JC27	Collet Nut	1
12	824JC12	Motor Housing	1	28	824JC28	Spanner	2
13	824JC13	Cover	1	29	824JC29	Air Inlet Hose	1
14	824JC14	Plate Cap	1	30	824JC30	Retaining Ring	1
15	824JC15	Ball Bearing	1	31	824JC31	Exhaust Hose	1
16	824JC16	Plate Rear	1				