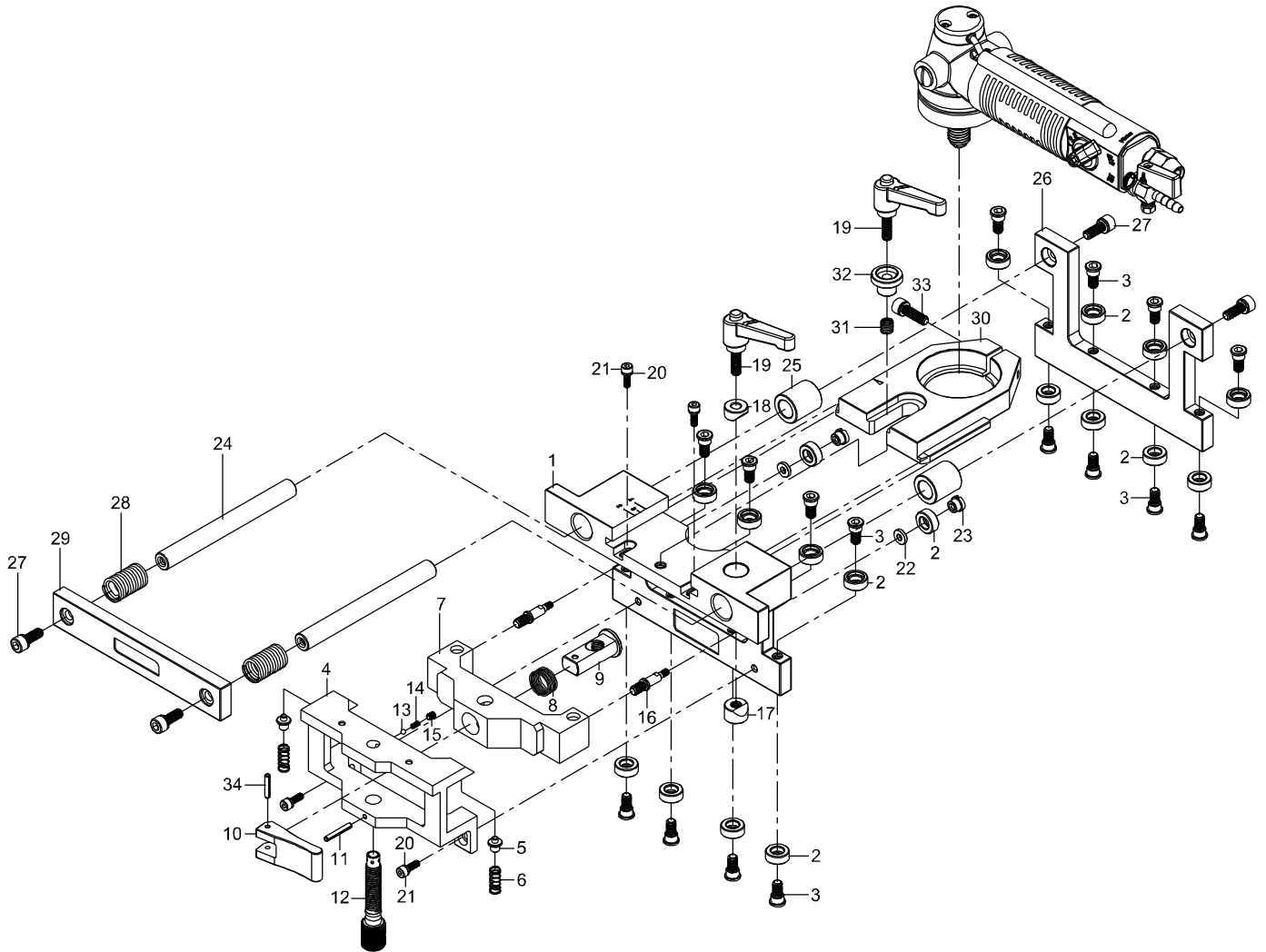




GISON Pneumatic Tools

GPW-A02A Angle Sander Base



PARTS LIST

✳ : Consuming Part

Item No.	Part No.	Description	Qty.	Item No.	Part No.	Description	Qty.
1	A02AA10000	Main Base	1	19	MP6X20	Adjustable Lever	2
2	A01A10100	Rolling Wheel	18	20	SPW4	Spring Washer	4
3	A01A10101	Screw	16	21	CAP007	Cap Screw	4
4	A02AA20000	Fix Base	1	22	A02AA30201	Washer	2
5	A02AA20100	Spring Base	2	23	A02AA30202	Fix Cap	2
6	S028	Spring	2	24	A02A20100	Gliding Pin	2
7	A02AA30000	Lift Base	1	25	A02AA10100	Bushing	2
8	S077	Spring	1	26	A02A30000	Lift Base	1
9	A02AA30100	Setting Bar	1	27	CAP018	Cap Screw	4
10	A02AA30300	Latch	1	28	S075	Spring	2
11	SP026	Spring Pin	1	29	A02A20000	Fix Base	1
12	A02AA20200	Control Knob	1	30	A02A40000	Bolt Base (GPW-7)	1
13	950010	Steel Ball	1		A02A40218	Bolt Base (GPW-218)	
14	S078	Spring	1	31	S032	Spring	1
15	MS010	Set Screw	1	32	A02A40100	Bushing	1
16	A02AA30200	Fix Shaft	2	33	CAP003	Cap Screw	1
17	A03A30000	Fasten Bushing	1	34	SP019	Spring Pin	1
18	A03A30100	Fasten Bushing	1				