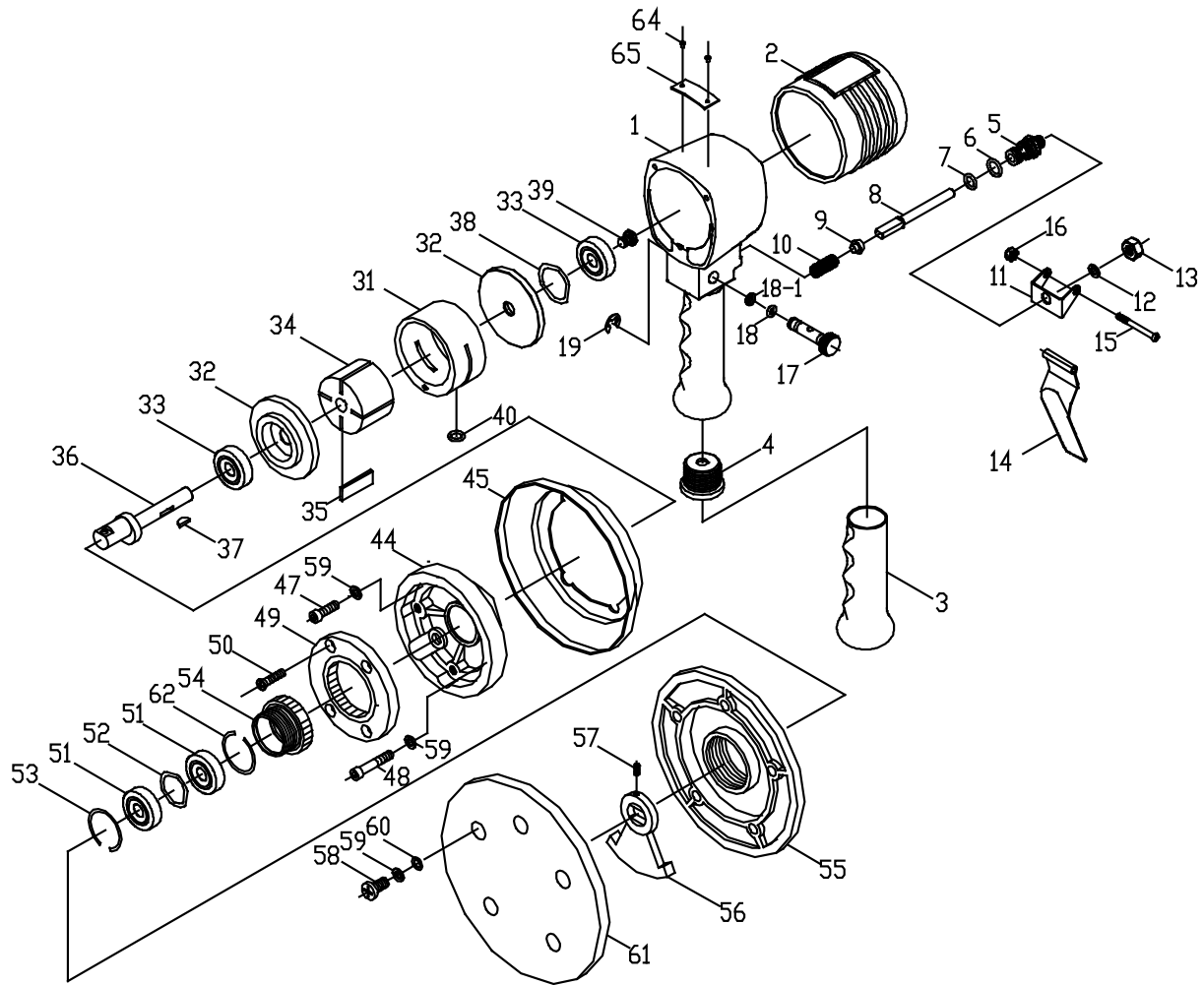




# GISON Pneumatic Tools

## GP-908 8" Heavy Duty Geared Sander



### PARTS LIST

★ :Consuming Part

Item No.	Part No.	Description	Qty.	Item No.	Part No.	Description	Qty.
1	908001	Motor Housing	1	35	908035	Rotor Blade	4
2	908002	Motor Housing Shield	1	36	908036	Rotor Shaft	1
3	908003	Handle Shield	1	37	908037	Rotor Key	1
4	908004	Inlet Bushing	1	38	908038	Wave Washer	1
5	908005	Throttle Valve Body	1	39	908039	Retaining Screw	1
6	908006	O-Ring	1	40	908040	Cylinder Seal	1
7	908007	O-Ring	1	44	908044	Gear Housing	1
8	908008	Throttle Valve Stem	1	45	908045	Gear Housing Shield	1
9	908009	Throttle Valve	1	47	908047	Screw S	2
10	908010	Throttle Valve Spring	1	48	908048	Screw L	2
11	908011	Lever Bracket	1	49	908049	Internal Gear	1
12	908012	Lever Bracker Washer	1	50	908050	Screw	4
13	908013	Lever Bracket Nut	1	51	908051	Bearing	2
14	908014	Throttle Lever	1	52	908052	Wave Washer	1
15	908015	Throttle Lever Bolt	1	53	908053	Retaining Clip	1
16	908016	Throttle Lever Nut	1	54	908054	Spur Gear	1
17	908017	Speed Regulator	1	55	908055	Pad Housing	1
18	908018	O-Ring	1	56	908056	Counterweight	1
18-1	908018-1	O-Ring	1	57	908057	Set Screw	1
19	908019	Regulator Retainer	1	58	908058	Screw	5
31	908031	Cylinder	1	59	908059	Spring Washer	9
32	908032	End Plate	2	60	908060	Plain Washer	5
33	908033	Bearing	2	61	908061	8" Up Pad	1
34	908034	Rotor	1	62	908062	Retaining Ring	1

※ If you need to order parts, please mark both **Parts No.** and **Description.**

2011/9/8