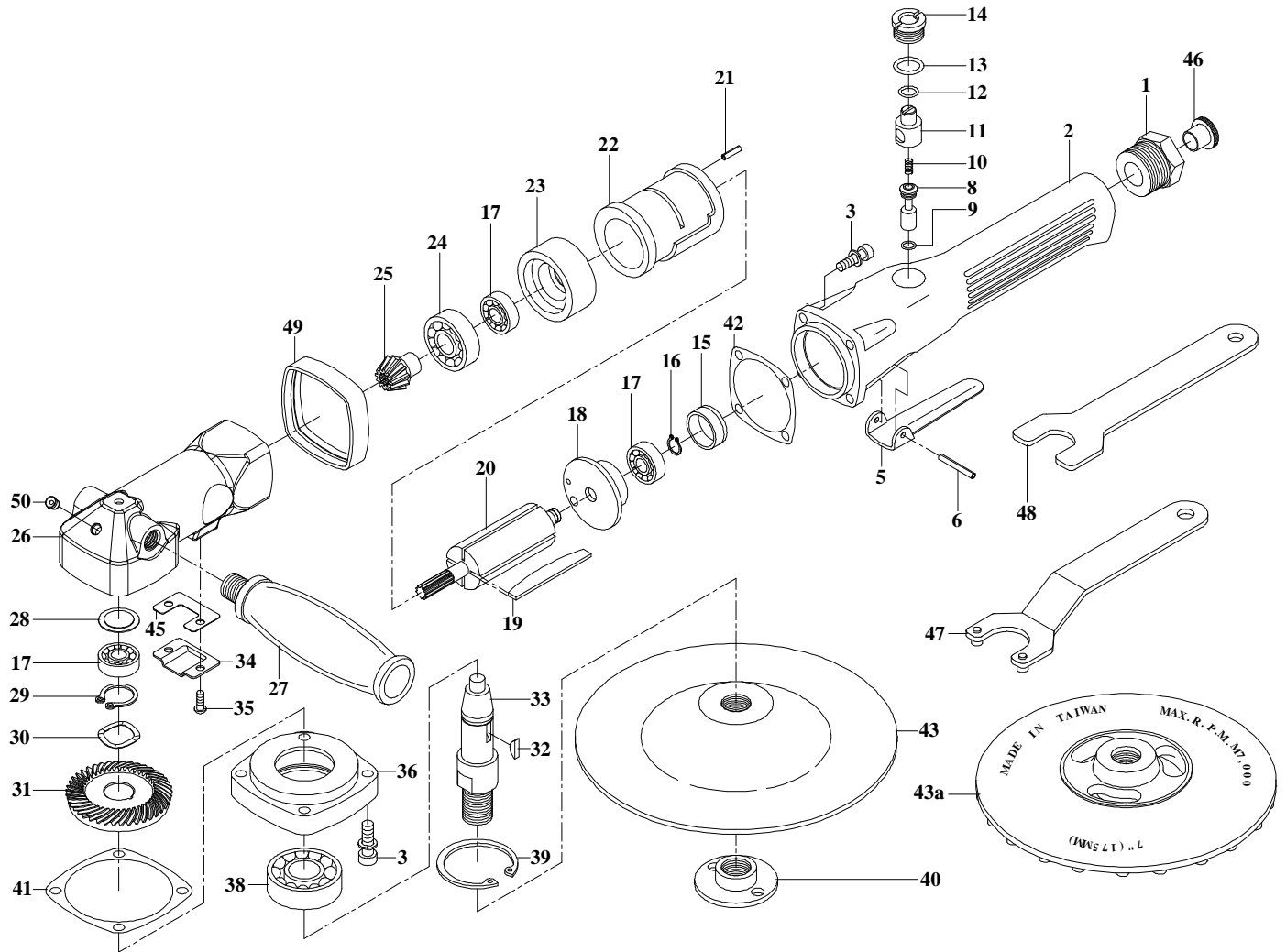




GISON Pneumatic Tools

GP-829/830 7" Angle Sander / Polisher



PARTS LIST

✳ :Consuming Part

Item No.	Part No.	Description	Qty.	Item No.	Part No.	Description	Qty.
1	829001	Hose Adapter	1	27	829027	Dead Handle	1
2	829002	Valve Body	1	28	829028	Bearing Plate	1
3	CAP016	Cap Screw	8	29	C17	Retaining Ring	1
5	829005	Lever	1	30	WW17	Wave Washer	1
6	SP026	Spring Pin	1	✳ 31	829031	Bevel Gear (sander)	1
8	829008	Valve Stem	1	✳ 31a	830031	Bevel Gear (Polisher)	1
9	OR034	O-Ring	1	32	KR002	Key	1
10	S023	Spring	1	33	829033	Gear Shaft	1
11	829011	Air Regulator	1	34	829034	Exhaust Deflector	1
12	OR030	O-Ring	1	35	TP4X8	Screw	2
13	OR021	O-Ring	1	36	829036	Housing Cap	1
14	829014	Valve Screw	1	38	B6203ZZ	Ball Bearing	1
15	829015	Bearing Rubber Cap	1	39	R40	Retaining Ring	1
16	C8	Retaining Ring	1	40	829040	Pad Nut	1
17	B608ZZ	Ball Bearing	3	✳ 41	829041	Gasket	1
18	829018	Rear Plate	1	✳ 42	829042	Gasket	1
✳ 19	829019	Rotor Blade	4	43	829043	Pad(Plastic)	1
20	829020	Rotor (Sander)	1	43a	829053	Pad(Rubber)	1
20a	830020	Rotor (Polisher)	1	43b	830044	Pad(Wool Polisher)	1
21	SP025	Spring Pin	1	45	829045	Gasket	1
22	829022	Cylinder	1	46	829046	Plastic Cover	1
23	829023	Front Plate	1	47	829047	Disc Spanner	1
24	B6201	Ball Bearing	1	48	829048	Stop spanner	1
✳ 25	829025	Pinion Gear (Sander)	1	49	829049	Rubber	1
✳ 25a	830025	Pinion Gear (Polisher)	1	50	829026E	Grease Fitting	1
26	829026	Motor Housing	1				