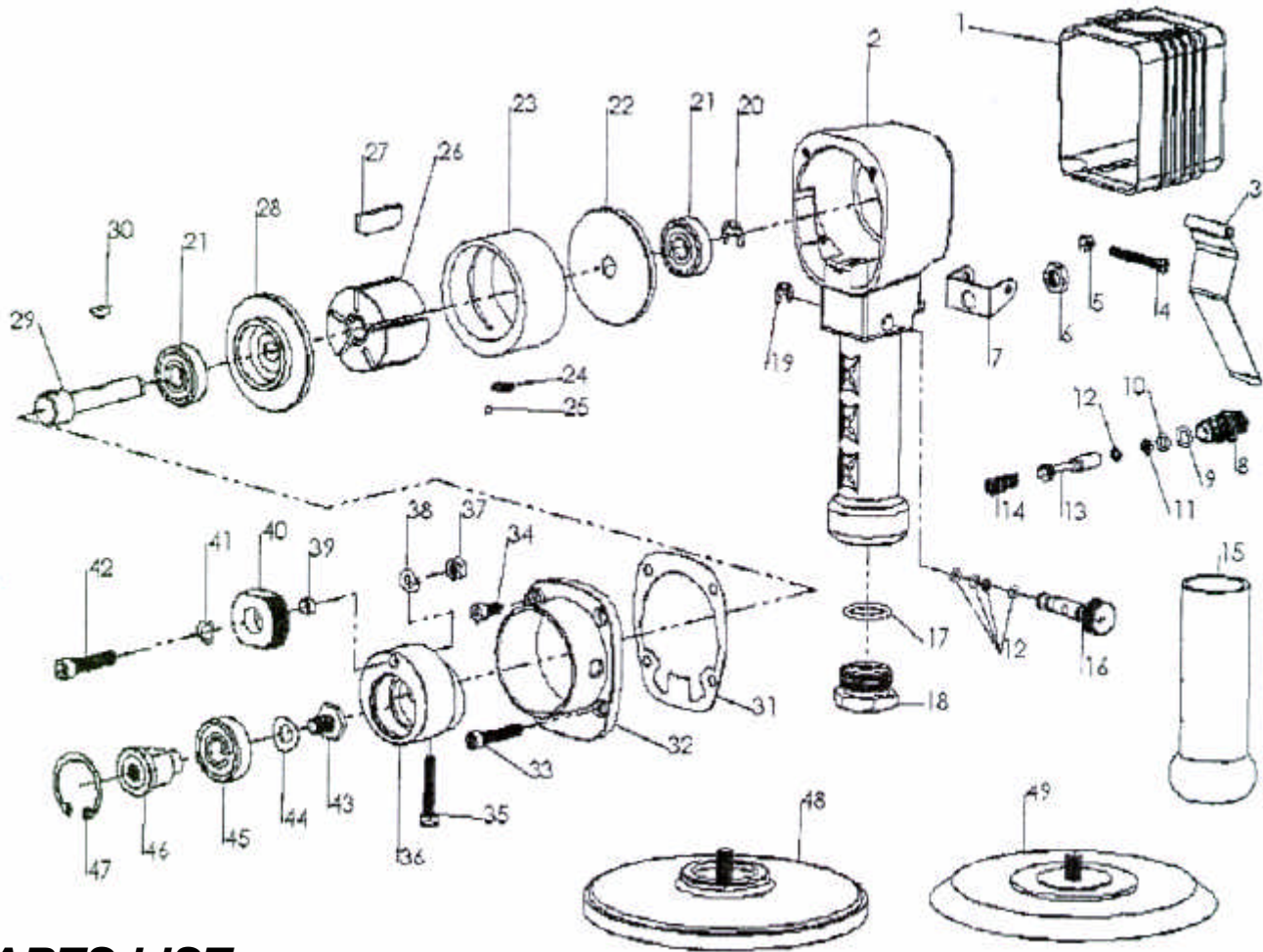




GISON Pneumatic Tools

GP-828 6" Air Dual Action Sander (Non-Vacuum)



PARTS LIST

✳ : Consuming Part

| Item No. | Part No. | Description | Qty. | Item No. | Part No. | Description | Qty |
|----------|----------|-----------------------|------|----------|----------|---------------------------|-----|
| 1 | 828A01 | Housing Cover | 1 | 26 | 828A26 | Rotor | 1 |
| 2 | 828A02 | Motor Housing | 1 | 27 | 828A27 | Rotor Blade | 5 |
| 3 | 828A03 | Throttle Lever | 1 | 28 | 828A28 | End Plate | 1 |
| 4 | 828A04 | Hinge Screw | 1 | 29 | 828A29 | Rotor Shaft | 1 |
| 5 | 828A05 | Hex Nut | 1 | 30 | 828A30 | Key | 1 |
| 6 | 828A06 | Hex Nut | 1 | 31 | 828A31 | Gasket | 1 |
| 7 | 828A07 | Bracket | 1 | 32 | 828A32 | Drive Housing | 1 |
| 8 | 828A08 | Valve Boov | 1 | 33 | 828A33 | Cap Screw | 2 |
| 9 | 828A09 | O-Ring | 1 | 34 | 828A34 | Cap Screw | 2 |
| 10 | 828A10 | O-Ring | 1 | 35 | 828A35 | Cap Screw | 1 |
| 11 | 828A11 | O-Ring | 1 | 36 | 828A36 | Ortital Hub | 1 |
| 12 | 828A12 | O-Ring | 5 | 37 | 828A37 | Hex Nut | 1 |
| 13 | 828A13 | Throttle Valve Shaft | 1 | 38 | 828A38 | Lock Washer | 1 |
| 14 | 828A14 | Throttle Valve Spring | 1 | 39 | 828A39 | Spacer | 1 |
| 15 | 828A15 | Grip Handle Cover | 1 | 40 | 828A40 | Spindle Lock | 1 |
| 16 | 828A16 | Regulator Valve | 1 | 41 | 828A41 | Spring Washer | 1 |
| 17 | 828A17 | O-Ring | 1 | 42 | 828A42 | Cap Screw of Spindle Lock | 1 |
| 18 | 828A18 | Hose Adapter | 1 | 43 | 828A43 | Hex Nut | 1 |
| 19 | 828A19 | Retaining Ring | 1 | 44 | 828A44 | Washer | 1 |
| 20 | 828A20 | Retaining Ring | 1 | 45 | 828A45 | Ball Bearing | 1 |
| 21 | 828A21 | Bearing | 2 | 46 | 828A46 | Drive Spindle | 1 |
| 22 | 828A22 | End Plate | 1 | 47 | 828A47 | Retaining Ring | 1 |
| 23 | 828A23 | Cylinder | 1 | 48 | 828A48 | Pad | 1 |
| 24 | 828A24 | O-Ring | 1 | 49 | 828A49 | Pad | 1 |
| 25 | 828A25 | Ball | 1 | 50 | 828A50 | Pad | 1 |