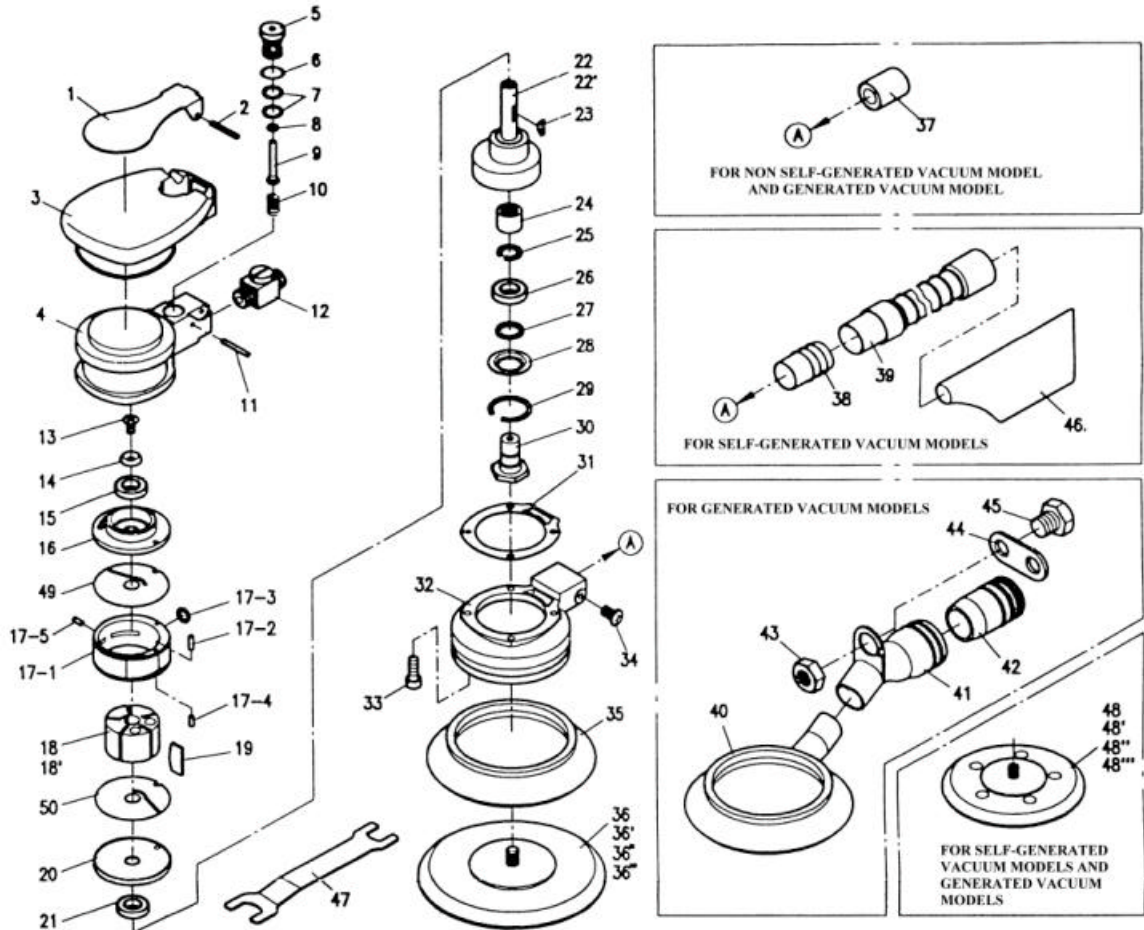


吉生 GISON

GP-938R Dual Action Sander

GP-938RD Dust Free Dual Action Sander



PARTS LIST

⚙️ : Consuming Part

Item No.	Part No.	Description	Qty.	Item No.	Part No.	Description	Qty.
1	938R01	Valve Lever	1	26	938R26	Bearing (60012RS)	1
2	938R02	Spring Pin (∅3x25)	1	27	938R27	Felt Ring (∅18)	1
3	938R03	Body Cover	1	28	938R28	Dust Seal	1
4	938R04	Body	1	29	938R29	Snap Ring (NR28)	1
5	938R05	Valve Pin Sleeve	1	30	938R30	Pad Retainer	1
6	938R06	Wave Washer (WW12)	1	31	938R31	Body Gasket	1
7	938R07	O-Ring (P8)	2	32	938R32	Base Ring	4
8	938R08	O-Ring (P4x∅7)	1	33	938R33	Cap Screw (M4x12)	1
9	938R09	Valve	1	34	938R34	Screw (M4x8)	1
10	938R10	Valve Spring	1	35	938R35	Hood	1
11	938R11	Needle Pin (∅3x22)	1	36	938R36	5" Nv Vinyl Face Pad	1
12	938R12	Regulator Set	1 set	36'	938R36'	5" Nv Hook Face Pad	
13	938R13	Screw (M5x10)	1	36''	938R36''	6" Nv Vinyl Face Pad	
14	938R14	Conical Washer (M5)	1	36'''	938R36'''	6" Nv Hook Face Pad	
15	938R15	Bearing (6000ZZ)	1	37	938R37	Silencer Set	1 set
16	938R16	U-Bearing Case	1	38	938RD38	Ejector (938RD)	1
Cylinder Set				39	938RD39	Dust Hose Set (938RD)	1
17-1	938R17-1	Cylinder	(1)	40	938R40	Shroud	1
17-2	938R17-2	Spring Pin (∅3x5)	(1)	41	938R41	Vacuum Adapter (∅33.5)	1
17-3	938R17-3	O-Ring (P7)	(1)	42	938R42	Hose Adapter (∅28.5) (Option)	1
17-4	938R17-4	Spring Pin (∅3x5)	(1)	43	938R43	Hex. Nut	1
17-5	938R17-5	Spring Pin (∅3x5)	(1)	44	938R44	Plate	1
18	938R18	Rotor (5")	1	45	938R45	Hex. Hd. Screw	1
18'	938R18'	Rotor (6")		46	938RD46	Dust Bag (938RD)	1
19	938R19	Vane	5	47	938R47	Spanner (17x22)	1
20	938R20	L-Bearing Case	1	48	938RD48	5" Vac Vinyl Face Pad (938RD)	1
21	938R21	Bearing (6000ZZ)	1	48'	938RD48'	5" Vac Hook Face Pad (938RD)	
22	938R22	Shaft With Head (A)	1	48''	938RD48''	6" Vac Vinyl Face Pad (938RD)	
22'	938R22'	Shaft With Head (B)		48'''	938RD48'''	6" Vac Hook Face Pad (938RD)	
23	938R23	H/R Key (3x13)	1	49	938R49	U-Side Plate	1
24	938R24	Needle Bearing (FJ1210)	1	50	938R50	L-Side Plate	1
25	938R25	Snap Ring (S12)	1				