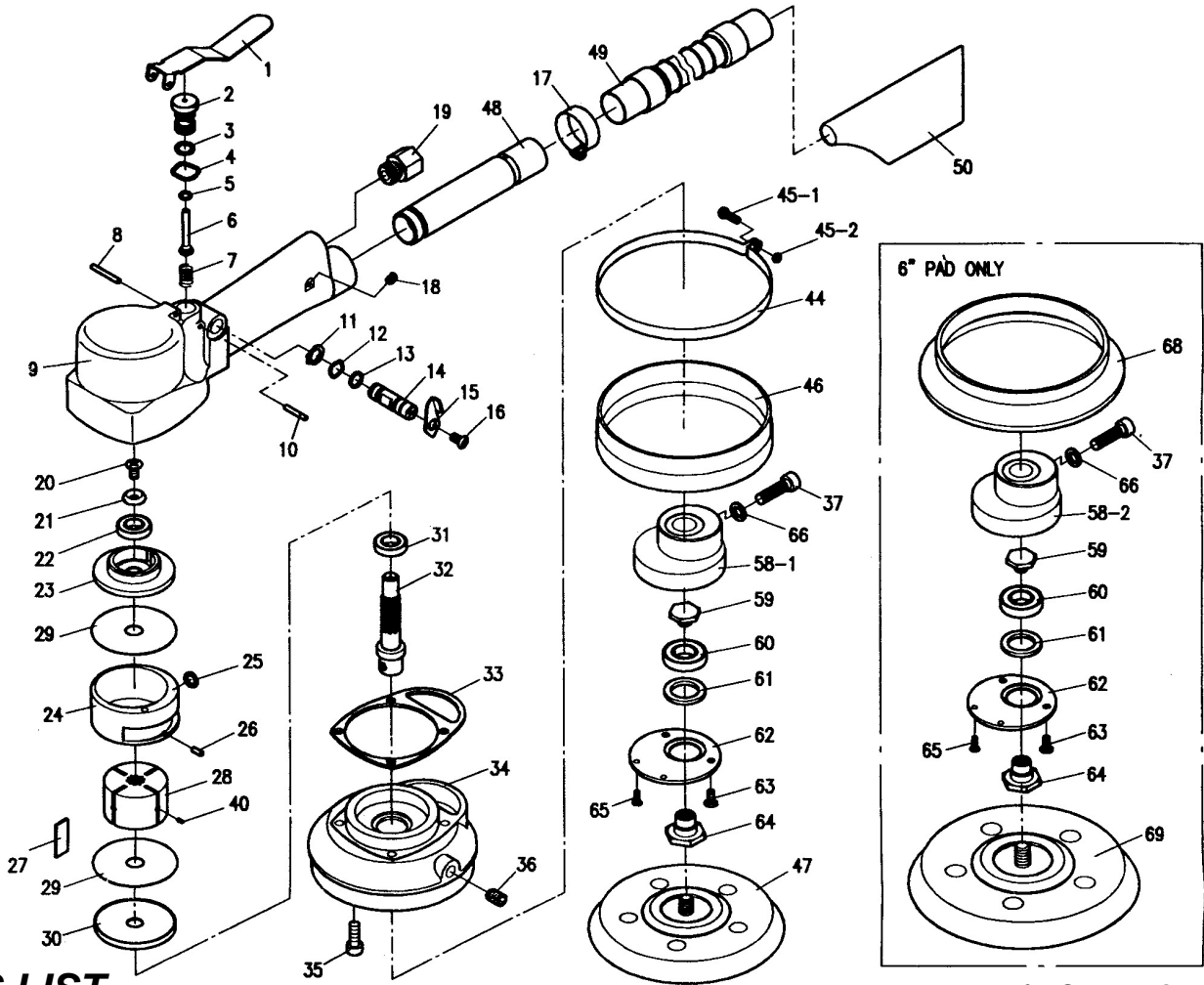




GISON Pneumatic Tools

GP-934RD/934RD-6 Dust Free Dual Action Sander



PARTS LIST

★ : Consuming Part

Item No.	Part No.	Description	Qty.	Item No.	Part No.	Description	Qty.
01	934RD01	Valve Lever	1	32	934RD32	Rotor Shaft	1
02	934RD02	Valve Pin Sleeve	1	33	934RD33	Body Gasket	1
03	934RD03	O-Ring (P6)	2	34	934RD34	Base Ring	1
04	934RD04	Wave Washer (ww-12)	1	35	934RD35	Screw (M5x15)	4
05	934RD05	O-Ring (P4-Ø7)	1	36	934RD36	Plag (PT1/8")	1
06	934RD06	Valve	1	37	934RD37	Cap Bolt (M6x25)	1
07	934RD07	Valve Spring	1	40	934RD40	Vane Spring	4
08	934RD08	Spring Pin (Ø3x20)	1	44	934RD44	Skirt Band Set	1 (set)
09	934RD09	Body	1	45-1	934RD45-1	Screw (M4x20)	1
10	934RD10	Needle Pin (Ø3x18)	1	45-2	934RD45-2	Nut (M4)	1
11	934RD11	Snap Ring (S-10)	2	46	934RD46	Skirt	1
12	934RD12	Wave Washer (WW-10)	1	47	934RD47-1	5"x5 Hold Vinyl Face Pad	1
13	934RD13	O-Ring (P8)	2		934RD47-2	5"x5 Hold Velcro Face Pad	
14	934RD14	Regulator	1		934RD47-3	5"x6 Hold Vinyl Face Pad	
15	934RD15	Regulator Lever	1		934RD47-4	5"x6 Hold Velcro Face Pad	
16	934RD16	Screw (M4x6)	1	48	934RD48	Ejector	1
17	934RD17	Hose Clamps (1-1/2")	1	49	934RD49	Duct Hose Set	1 (set)
18	934RD18	Set Bolt (M4x6)	1	50	934RD50	Bag	1
19	934RD19	1/4" OM Nipple	1	58-1	934RD58-1	Random Balancer (5")	1
20	934RD20	Screw (M6x10)	1	58-2	934RD58-2	Random Balancer (6") (GP-934RD-6)	1
21	934RD21	Conical Washer (M6)	1	59	934RD59	Retainer Bolt	1
22	934RD22	Bearing (6200ZZ)	1	60	934RD60	Bearing (62012RS)	1
23	934RD23	U-Bearing Case	1	61	934RD61	Felt Ring	1
24	934RD24	Cylinder	1	62	934RD62	Retaining Plat	1
25	934RD25	O-Ring (P6)	1	63	934RD63	Screw (M4x8)	2
26	934RD26	Spring Pin (Ø3x5)	1	64	934RD64	Pad Retainer	1
27	934RD27	Vane	4	65	934RD65	Screw (M3x8)	2
28	934RD28	Rotor	1	66	934RD66	Spring Washer (M6)	1
29	934RD29	Side Plate	1	68	934RD68	Skirt (GP-934RD-6)	1
30	934RD30	L-Bearing Case	1	69	934RD69-1	6"x6 Hold Vinyl Face Pad (GP-934RD-6)	1
31	934RD31	Bearing (6201ZZ)	1		934RD69-2	6"x6 Hold Velcro Face Pad (GP-934RD-6)	