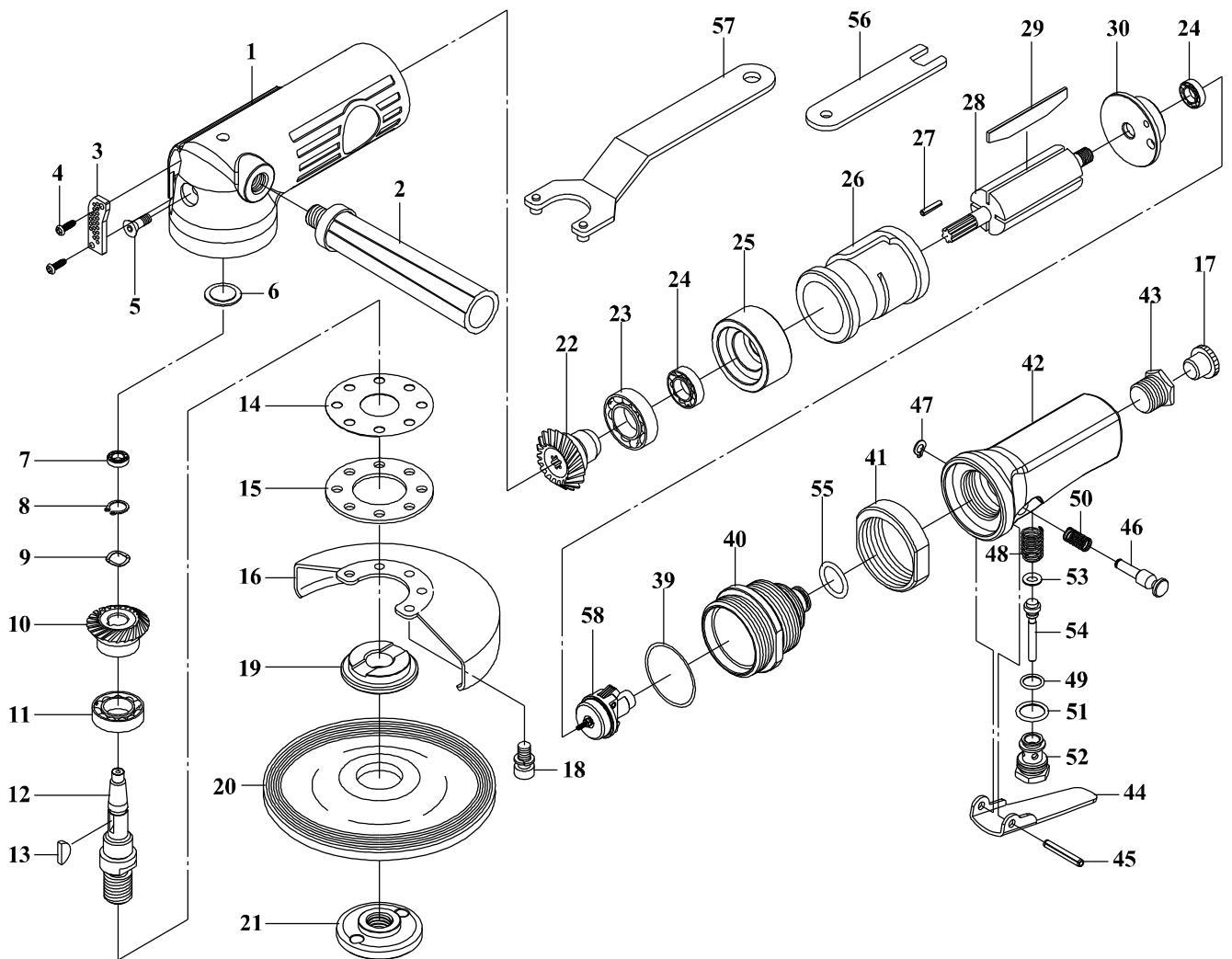




GISON Pneumatic Tools

GP-911 5" Air Angle Grinder (M14)



PART LIST

✳ :Consumin Parts

Item No.	Part No.	Description	Qty	Item No.	Part No.	Description	Qty
1	832001	Body	1	26	829022	Cylinder	1
2	832006	Grip	1	27	SP025	Spring Pin	1
3	832048	Exhaust Cover	1	28	832024	Rotor	1
4	TP3X10	Screw	2	✳ 29	829019	Rotor Blade	4
5	MT001	Screw	1	30	829018	Rear Plate	1
6	832019	Spacer	1	39	OR032	O-Ring	1
7	B626ZZ	Ball Bearing	1	40	911040	Governor Case	1
8	C10	Retaining Ring	1	41	911041	Coupling Nut	1
9	WW10	Wave Washer	1	42	911042	Valve Housing	1
✳ 10	832010	Bevel Gear	1	43	832057	Hose Adapter	1
11	B6202ZZ	Ball Bearing	1	44	831053	Lever	1
12	911012	Gear Shaft	1	45	SP028	Spring Pin	1
13	KR002	Key	1	46	831056	Safe Lever	1
14	832008	Gasket	1	47	C5	Retaining Ring	1
15	832007	Retainer	1	48	S022	Spring	1
16	911016	Disc Cover(5")	1	49	OR002	O-Ring	1
17	829046	Plastic Cover	1	✳ 50	S028	Valve Spring	1
18	CAP005	Cap Screw	5	51	OR031	O-Ring	1
19	911019	Disc Nut	1	52	911052	Bushing	1
20	911020	Disc Wheel	1	53	OR034	O-Ring	1
21	911021	Disc Receiver	1	✳ 54	831061	Valve Stem	1
22	832015	Pinion Gear	1	55	OR030	O-Ring	1
23	B6201	Ball Bearing	1	56	832041	Stop Spanner	1
24	B608ZZ	Ball Bearing	2	57	829047	Disc Spanner	1
25	829023	Front Plate	1	58	832h01	Governor Ass.	1