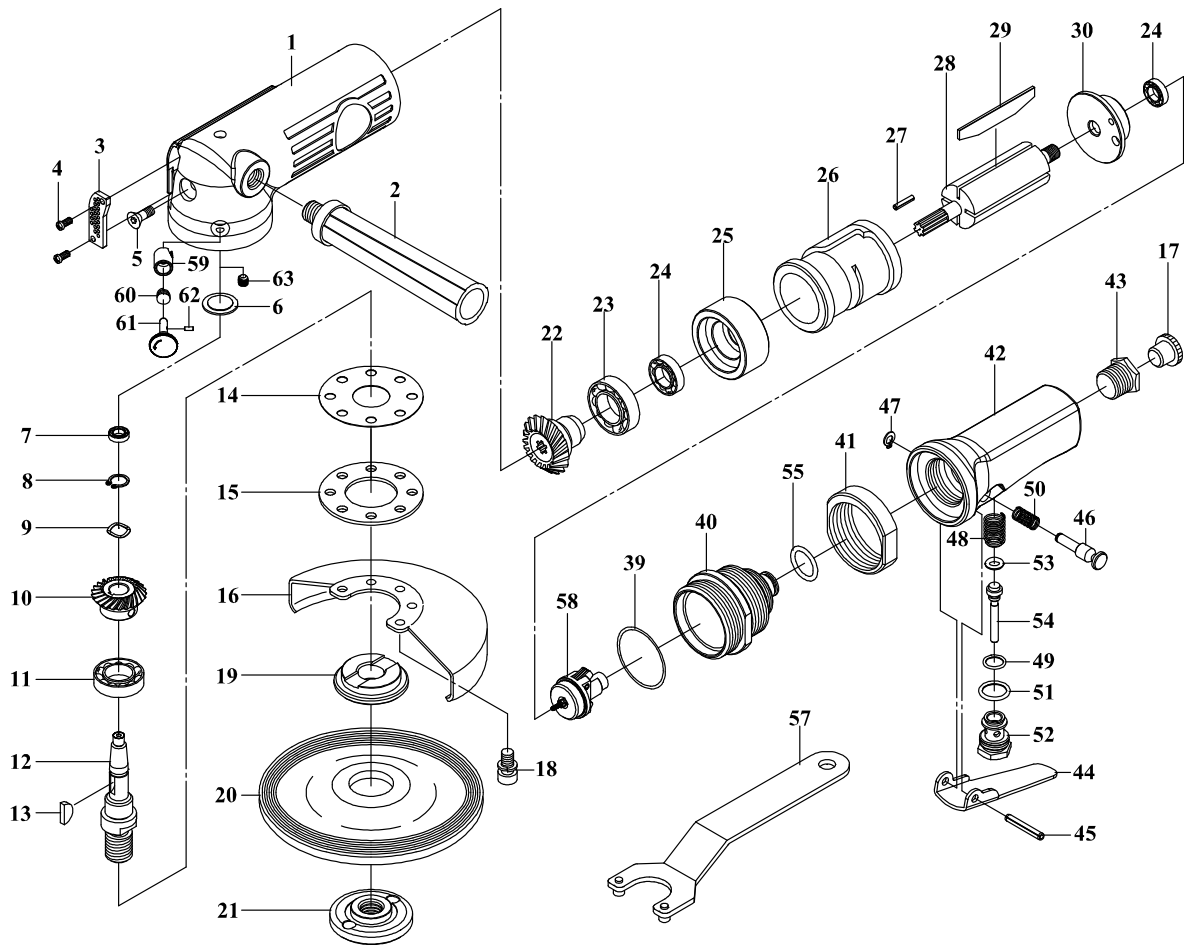




GISON Pneumatic Tools

GP-911S 5" Air Angle Grinder (Safety Lever, M14)



PART LIST

★ : Consumin Parts

Item No	Part No	Description	Qty	Item No	Part No	Description	Qty
1	832001B	Body	1	28	832024	Rotor	1
2	832006	Grip	1	★ 29	829019	Rotor Blade	4
3	832048	Exhaust Cover	1	30	829018	Rear Plate	1
4	TP3X10	Screw	2	39	OR032	O-Ring	1
5	MT001	Screw	1	40	911040	Governor Case	1
6	832019	Spacer	1	41	911041	Coupling Nut	1
7	B626ZZ	Ball Bearing	1	42	911042	Valve Housing	1
8	C10	Retaining Ring	1	43	832057	Hose Adapter	1
9	WW10	Wave Washer	1	44	831053	Lever	1
★ 10	832010B	Bevel Gear	1	45	SP028	Spring Pin	1
11	B620ZZ	Ball Bearing	1	46	831056	Safe Lever	1
12	911012	Gear Shaft	1	47	C5	Retaining Ring	1
13	KR002	Key	1	48	S022	Spring	1
14	832008	Gasket	1	49	OR002	O-Ring	1
15	832007	Retainer	1	★ 50	S028	Valve Spring	1
16	911016	Disc Cover(5")	1	51	OR031	O-Ring	1
17	829046	Plastic Cover	1	52	911052	Bushing	1
18	CAP005	Cap Screw	5	53	OR034	O-Ring	1
19	911019	Disc Nut	1	★ 54	831061	Valve Stem	1
20	911020	Disc Wheel	1	55	OR030	O-Ring	1
21	911021	Disc Receiver	1	57	829047	Disc Spanner	1
22	832015	Pinion Gear	1	58	832h01	Governor Ass.	1
23	B6201	Ball Bearing	1	59	832077	Fix Bushing	1
24	B608ZZ	Ball Bearing	2	60	S055	Spring	1
25	829023	Front Plate	1	61	832076	Fix Pin	1
26	829022	Cylinder	1	62	P013	Pin	1
27	SP025	Spring Pin	1	63	MS002	Screw	1