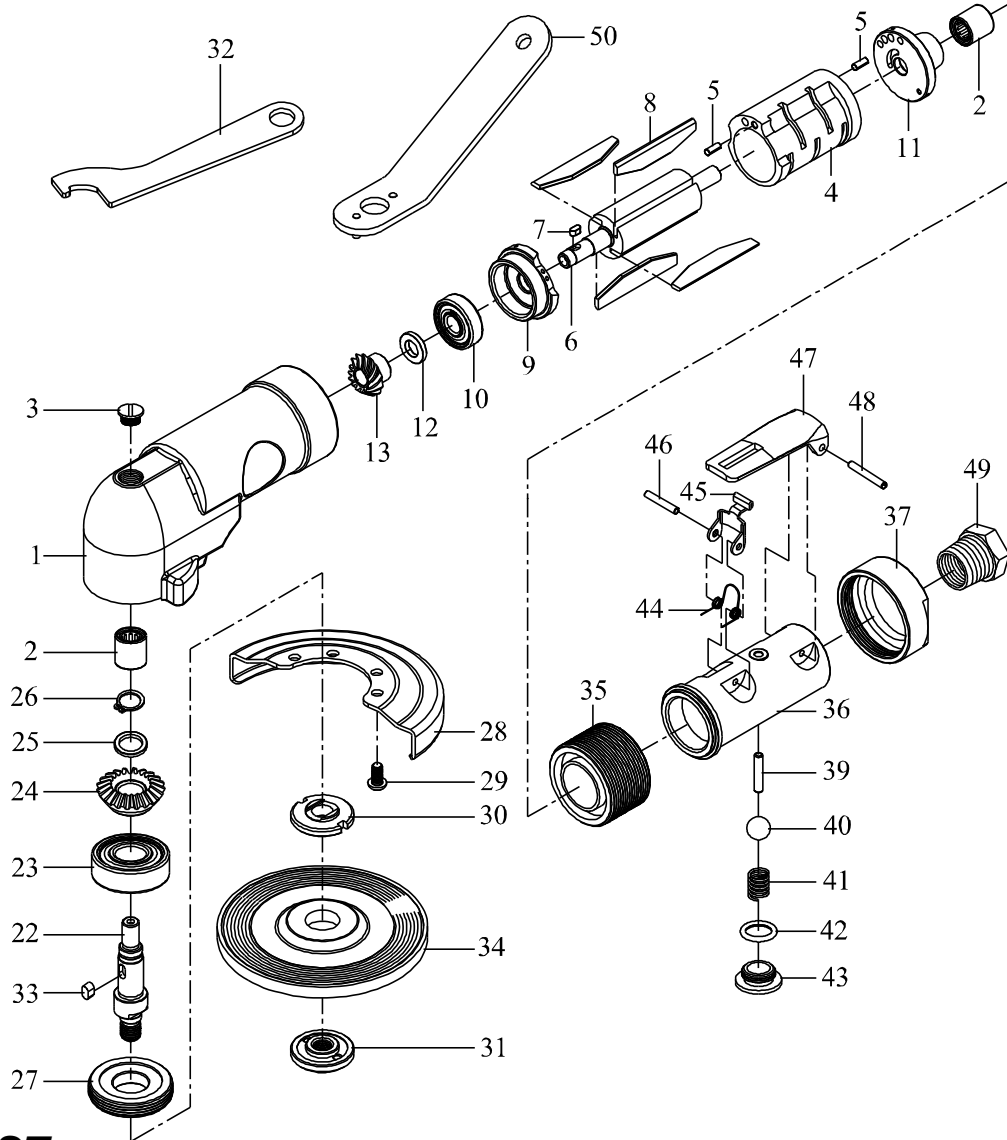




GISON Pneumatic Tools

GP-971L 4" Air Angle Grinder (Safety Lever)



PARTS LIST

✳ : Consuming Part

Item No.	Part No.	Description	Qty.	Item No.	Part No.	Description	Qty.
1	97101000	Body	1	30	97105020	Disc Receiver	1
2	B815	Pin Bearing	2	31	832N04	Disc Nut	1
3	97101020	Screw	1	32	97105050	Stop spanner	1
✳ 4	97102000	Cylinder	1	33	KC003	Key	1
5	SP025	Spring Pin	2	34	832034	Disc Wheel	1
6	97102A10	Rotor	1	35	971A3000	Lock Ring	1
7	KC002	Key	1	36	971A3010	Handle	1
✳ 8	97102012	Rotor Blade	4	37	971A3020	Coupling Cup	1
9	97102020	Front Plate	1	39	P017	Pin	1
10	B629ZZ	Ball Bearing	1	✳ 40	971A3015	Nylon Ball	1
11	97102030	Rear Plate	1	41	S043	Spring	1
12	97102040	Washer	1	42	OR021	O-Ring	1
✳ 13	97102050	Pinion Gear	1	43	971A3013	Valve Screw	1
22	97104000	Gear Shaft	1	✳ 44	S042	Spring	1
23	B6301ZZ	Ball Bearing	1	✳ 45	971A3040	Safety Trigger	1
✳ 24	97104030	Bevel Gear	1	46	SP031	Spring Pin	1
25	97104040	Washer	1	47	971A303A	Lever	1
26	C10	Retaining Ring	1	48	SP032	Spring Pin	1
27	97104060	Nut	1	49	832057	Hose Adaptor	1
28	97105000	Disc Cover	1	50	832040	Disc Spanner	1
29	MC003	Screw	4				