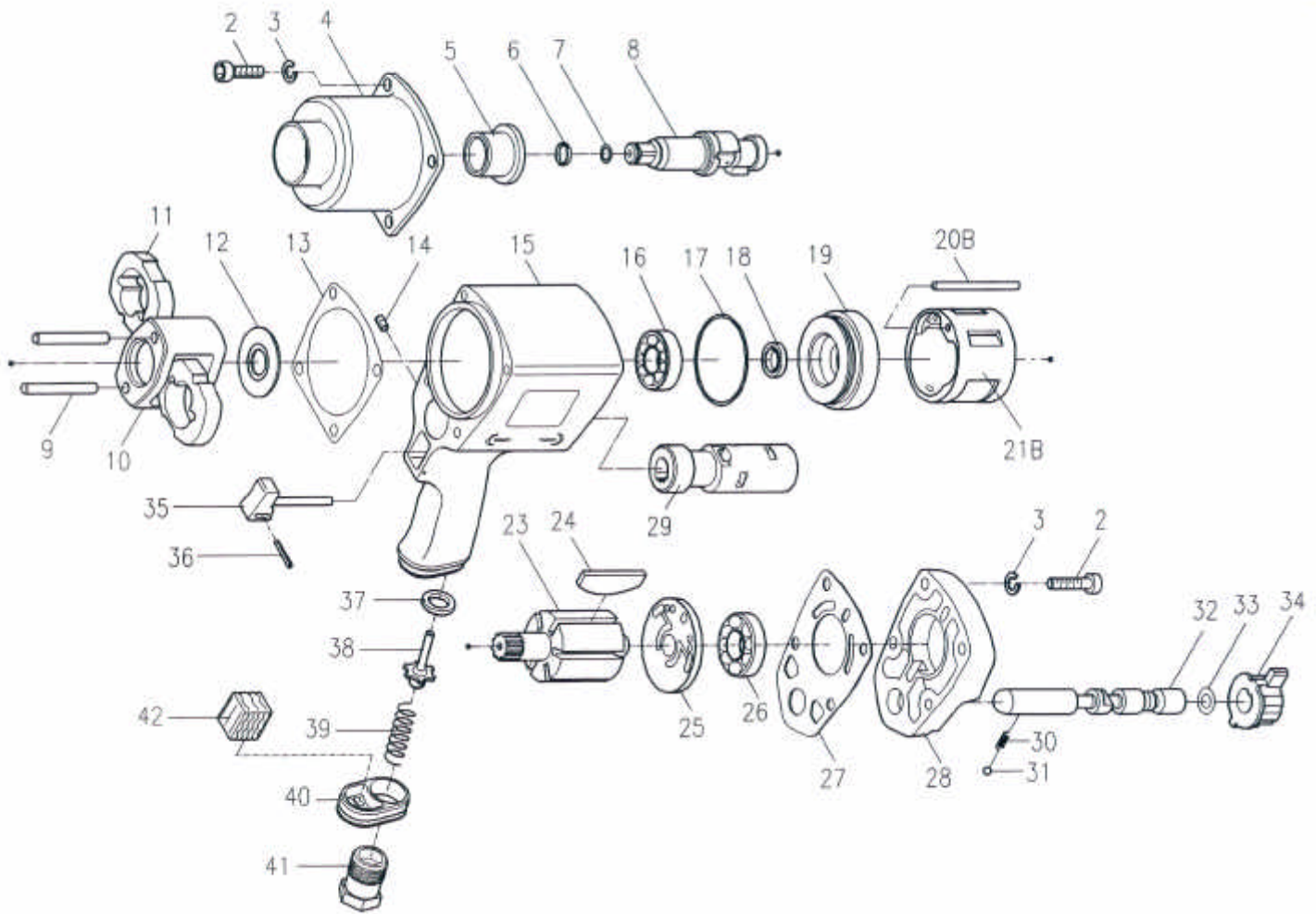




GISON Pneumatic Tools

GW-12T 3/8" Air Impact Wrench (Handle Exhaust)



PARTS LIST

✦ : Consuming Part

Item No.	Part No.	Description	Qty.	Item No.	Part No.	Description	Qty.
2	12T002	Cap Screw	8	23	12T023	Rotor	1
3	12T003	Spring Washer	8	24	12T024	Rotor Blade	6
4	12T004	Hammer Case	1	25	12T025	Rear End Plate	1
5	12T005	Anvil Bushing	1	26	12T026	Ball Bearing	1
6	12T006A	Anvil Collar (3/8" Anvil)	1	27	12T027	Rear Gasket	1
	12T006B	Anvil Collar (1/4" Anvil)		28	12T028	Rear Cover	1
7	12T007A	O-Ring (3/8" Anvil)	1	29	12T029	Valve Sleeve	1
	12T007B	O-Ring (1/2" Anvil)		30	12T030	Spring	1
8	12T008A	3/8" Anvil	1	31	12T031	Steel Ball	1
	12T008B	1/2" Anvil		32	12T032	Reverse Valve	1
9	12T009	Hammer Pin	2	33	12T033	O-Ring	1
10	12T010	Hammer Cage	1	34	12T034	Regulator Knob	1
11	12T011	Hammer	2	35	12T035	Trigger	1
12	12T012	Rear Washer	1	36	12T036	Spring Pin	1
13	12T013	Front Gasket	1	37	12T037	Bushing	1
14	12T014	Set Screw	1	38	12T038	Valve Stem	1
15	12T015	Motor Housing	1	39	12T039	Spring	1
16	12T016	Ball Bearing	1	40	12T040	Exhaust Deflector	1
17	12T017	O-Ring	1	41	12T041A	Air Inlet (1/4" PF)	1
18	12T018	Oil Seal	1		12T041B	Air Inlet (1/4" PT)	
19	12T019	Front End Plate	1		12T041C	Air Inlet (1/4" NPT)	
20B	12T020	Pin	1	42	12T042	Muffler	1
21B	12T021	Cylinder	1				