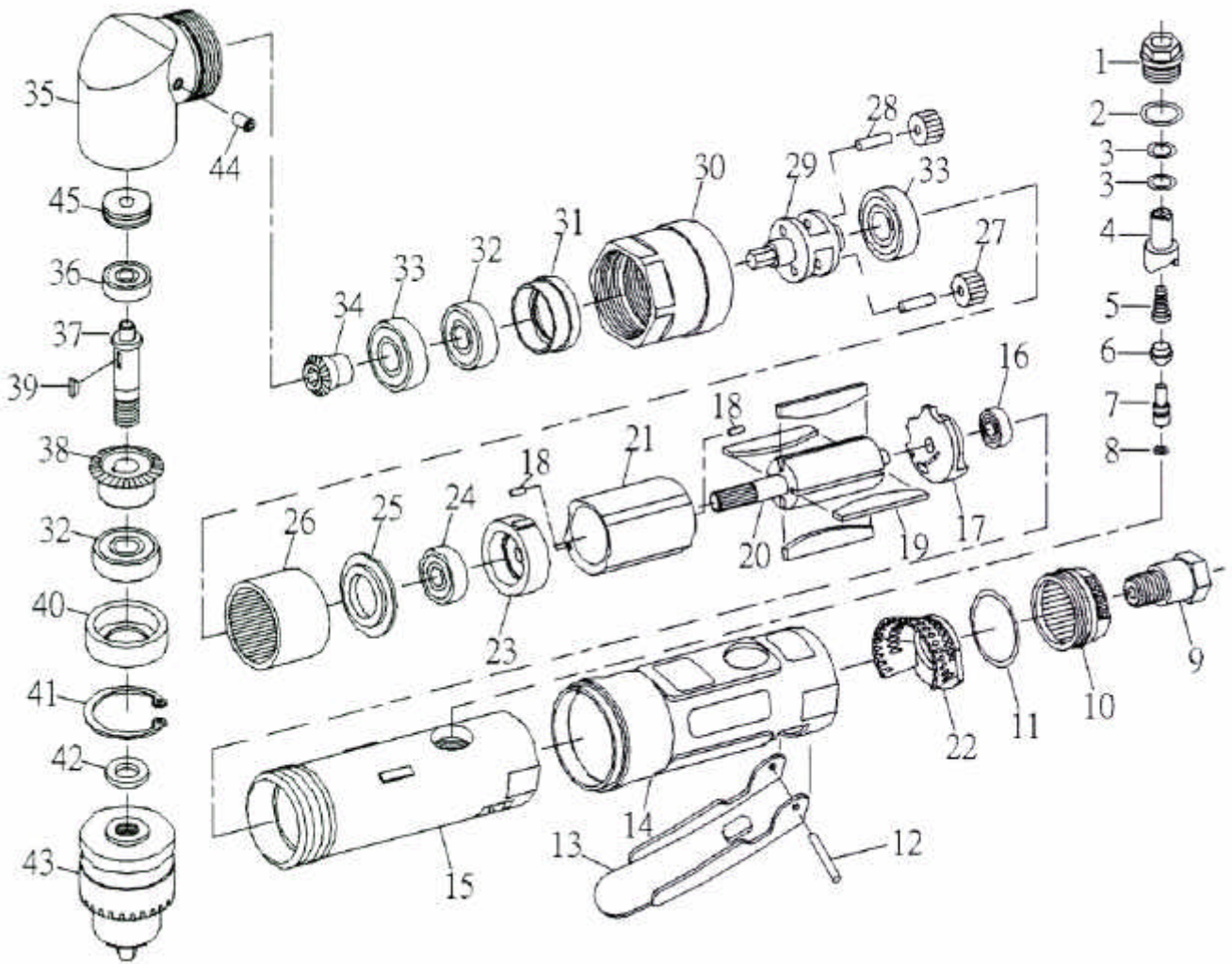


GISON Pneumatic Tools

GP-835ADS 3/8" Air Angle Drill



PARTS LIST

✳ : Consuming Part

Item No.	Part No.	Description	Qty.	Item No.	Part No.	Description	Qty.
1	835ADS01	Screw	1	24	835ADS24	Bearing (608ZZ)	1
2	835ADS02	O-Ring (P12)	1	25	835ADS25	Washer	1
3	835ADS03	O-Ring (P8)	2	26	835ADS26	Thread Ring Gear	1
4	835ADS04	Air Regulator	1	27	835ADS27	Idler Gear (16T)	2
5	835ADS05	Spring	1	28	835ADS28	Idler Gear Pin	2
6	835ADS06	Valve Stem Bushing	1	29	835ADS29	Idler gear Plate	1
7	835ADS07	Valve Stem	1	30	835ADS30	Clamp Nut	1
8	835ADS08	O-Ring (3.5X1.4)	1	31	835ADS31	Bearing Bushing	1
9	835ADS09	Air Inlet	1	32	835ADS32	Bearing (6000ZZ)	2
10	835ADS10	Exhaust Sleeve	1	33	835ADS33	Bearing (6001Z)	2
11	835ADS11	O-Ring (26.7X1.78)	1	34	835ADS34	Bevel Gear (15T)	1
12	835ADS12	Spring Pin (3*24)	1	35	835ADS35	Angle Housing	1
13	835ADS13	Lever	1	36	835ADS36	Ball Bearing (626)	1
14	835ADS14	Protecting Rubber	1	37	835ADS37	Shaft	1
15	835ADS15	Housing	1	38	835ADS38	Bevel Gear (30T)	1
16	835ADS16	Bearing (696ZZ)	1	39	835ADS39	Key	1
17	835ADS17	Rear Plate	1	40	835ADS40	Bearing Bushing	1
18	835ADS18	Pin (2.5*6)	2	41	835ADS41	Retainer Ring	1
19	835ADS19	Rotor Blade	4	42	835ADS42	Washer	1
20	835ADS20	Rotor (9T)	1	43	835ADS43	3/8" Chuck	1
21	835ADS21	Cylinder	1	44	835ADS44	Oil Cup	1
22	835ADS22	Cone Muffler	1	45	835ADS45	Bearing	1
23	835ADS23	Front Plate	1				