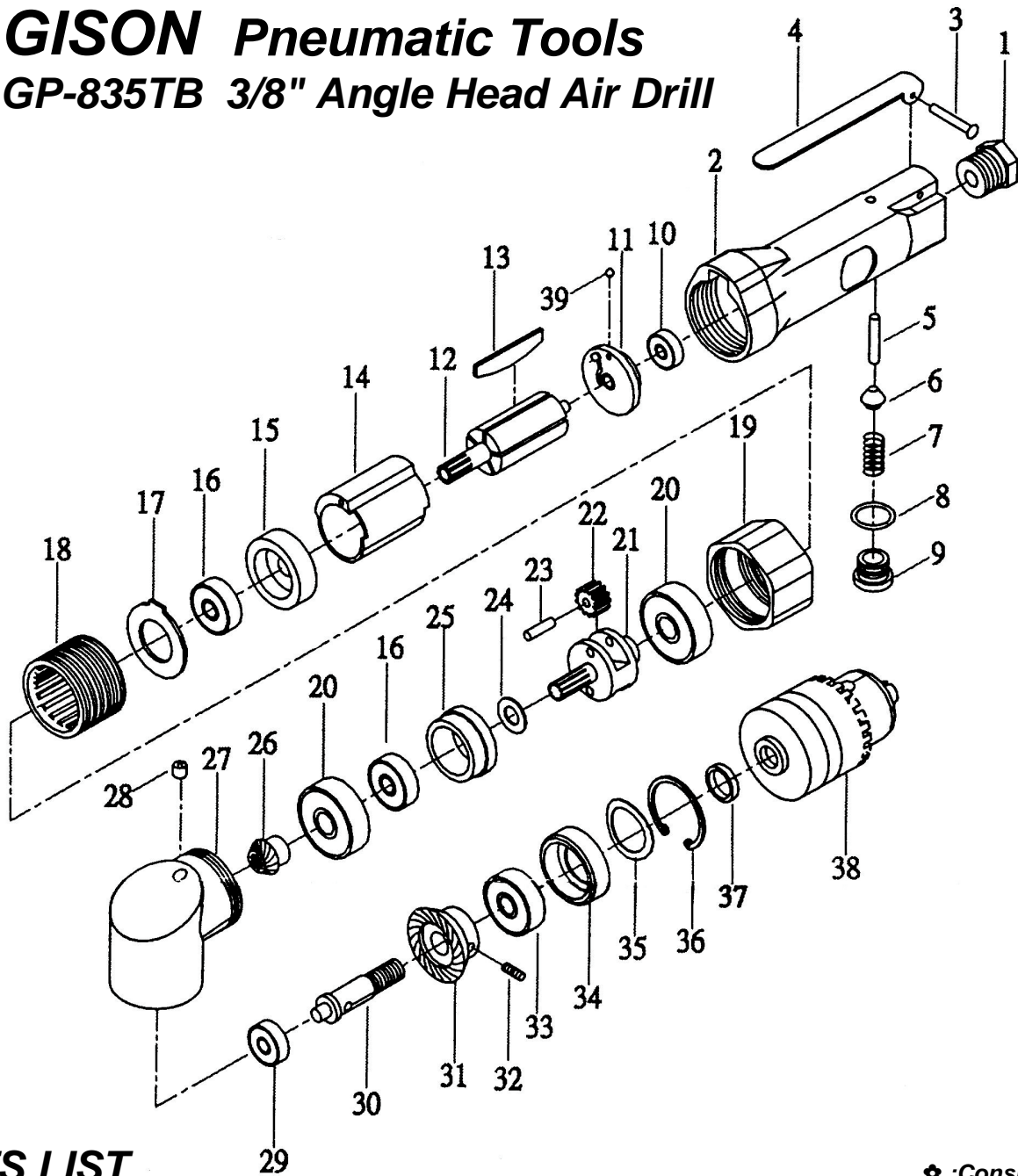




GISON Pneumatic Tools

GP-835TB 3/8" Angle Head Air Drill



PARTS LIST

✿ : Consuming Part

Item No.	Part No.	Description	Qty.	Item No.	Part No.	Description	Qty.
1	835TB01	Air Inlet	1	21	835TB21	Planet Cage	1
2	835TB02	Housing	1	22	835TB22	Gear	2
✿ 3	835TB03	Roll Pin	1	23	835TB23	Pin	2
4	835TB04	Throttle Lever	1	24	835TB24	Washer	1
5	835TB05	Valve Pin	1	25	835TB25	Bearing Cap	1
✿ 6	835TB06	Valve	1	26	835TB26	Pinion	1
✿ 7	835TB07	Spring	1	27	835TB27	Angle Housing	1
✿ 8	835TB08	O-Ring	1	28	835TB28	Oil Cover	1
✿ 9	835TB09	Valve Plug	1	29	835TB29	Bearing	1
10	835TB10	Ball Bearing	1	30	835TB30	Spindle	1
11	835TB11	Rear End Plate	1	31	835TB31	Gear	1
12	835TB12	Rotor	1	32	835TB32	Set Screw	1
✿ 13	835TB13	Vanes	5	33	835TB33	Bearing	1
14	835TB14	Cylinder	1	34	835TB34	Bearing Cap	1
15	835TB15	Front End Plate	1	35	835TB35	Wave Washer	1
16	835TB16	Bearing	1	36	835TB36	Retaining Ring	1
17	835TB17	Washer	1	37	835TB37	Spacer	1
18	835TB18	Thread Ring Gear	1	38	835TB38	Chuck	1
19	835TB19	Clamp Nut	1	39	835TB39	Ball	1
20	835TB20	Bearing	2				