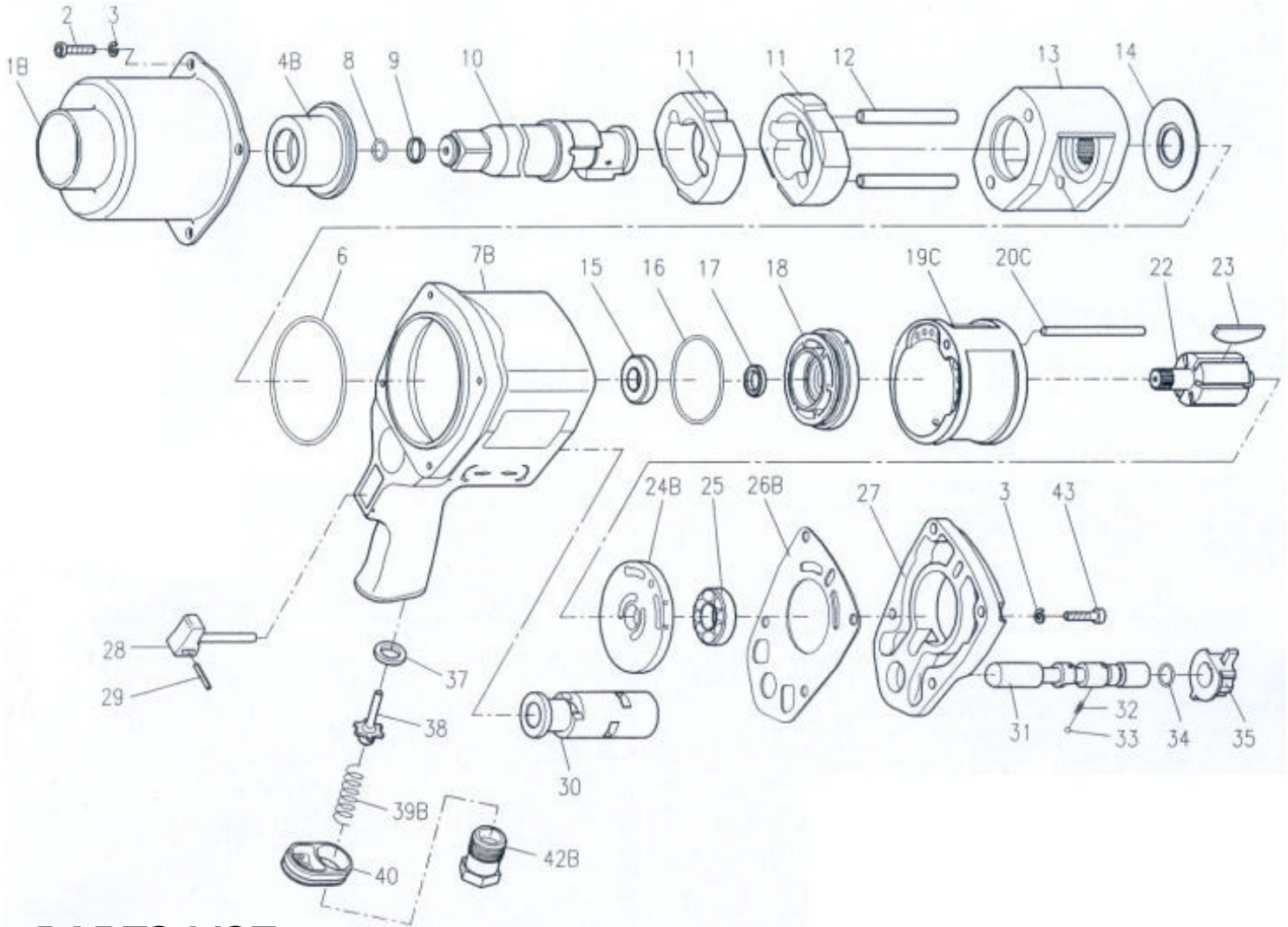




GISON Pneumatic Tools

GW-24E Professional Air Impact Wrench



PARTS LIST

✳ : Consuming Part

Item No.	Part No.	Description	Qty.	Item No.	Part No.	Description	Qty.
1B	24E001	Hammer Case	1	23	24E023	Rotor Blade	6
2	24E002	Cap Screw	8	24B	24E024	Rear End Plate	1
3	24E003	Spring Washer	8	25	24E025	Ball Bearing	1
4B	24E004	Bushing	1	26B	24E026	Rear Gasket	1
6	24E006	O-Ring	1	27	24E027	Rear Cover	1
7B	24E007	Motor Housing	1	28	24E028	Trigger	1
8	24E008	O-Ring	1	29	24E029	Spring Pin	1
9	24E009	Anvil Collar	1	30	24E030	Valve Sleeve	1
10	24E010A	Anvil	1	31	24E031	Reverse Valve	1
	24E010B	6" Anvil	1	32	24E032	Spring	1
11	24E011	Hammer	2	33	24E033	Steel Ball	1
12	24E012	Hammer Pin	2	34	24E034	O-Ring	1
13	24E013	Hammer Cage	1	35	24E035	Regulator Knob	1
14	24E014	Rear Washer	1	37	24E037	Bushing	1
15	24E015	Ball Bearing	1	38	24E038	Valve Stem	1
16	24E016	O-Ring	1	39B	24E039	Spring	1
17	24E017	Oil Seal	1	40	24E040	Exhaust Deflector	1
18	24E018	Front End Plate	1	42B	24E042A	Air Inlet (3/8"PF)	1
19C	24E019	Cylinder	1		24E042B	Air Inlet (3/8"PT)	
20C	24E020	Pin	1		24E042C	Air Inlet (3/8"NPT)	
22	24E022	Rotor	1				