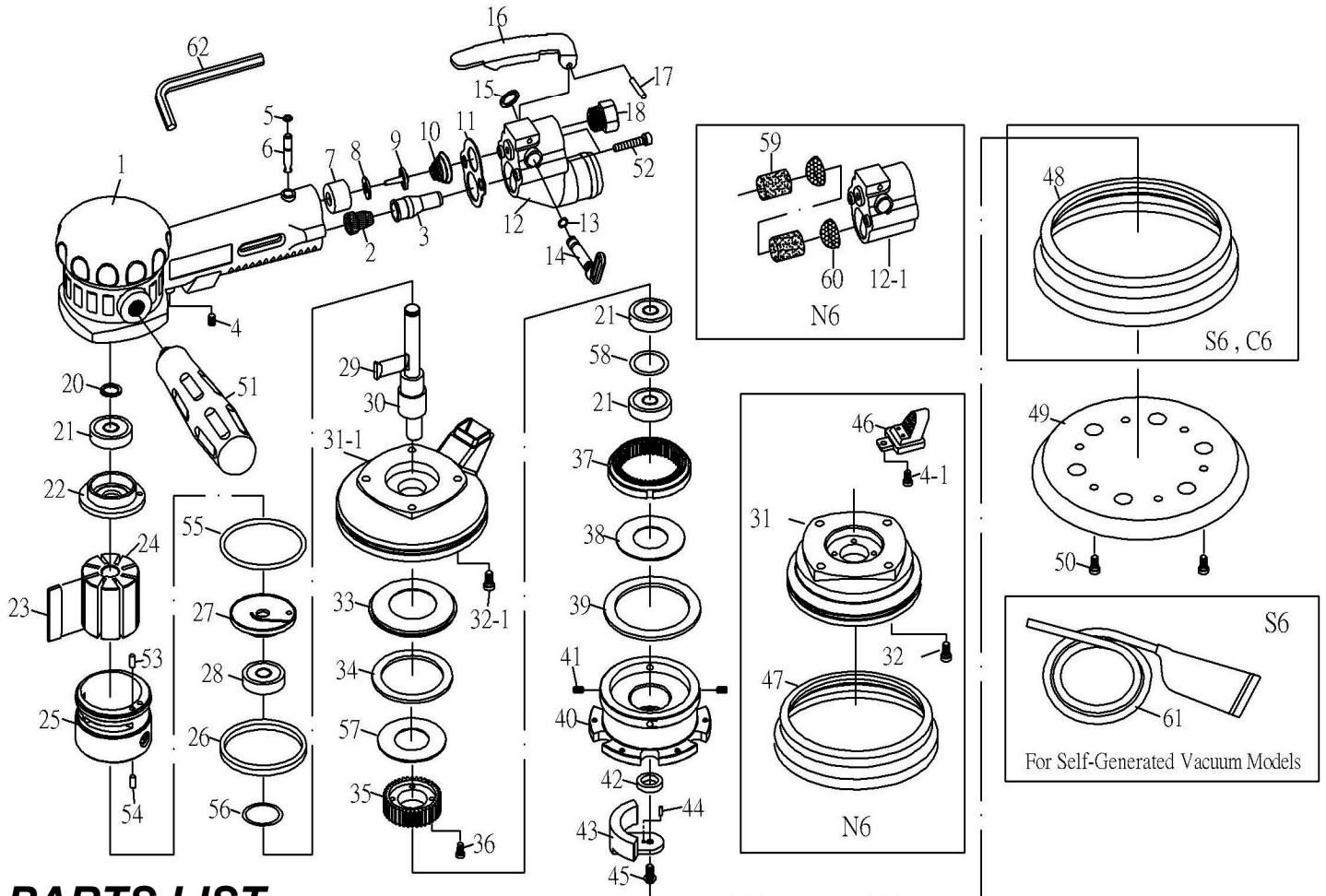




GISON Pneumatic Tools

GP-935DN6/DC6/DS6 2-Hand Gear-Driven 6" Air Sanders



PARTS LIST

✳ : Consuming Part

No.	Part No.	Description	Qty.	No.	Part No.	Description	Qty.
01	935DC01	Housing	1	32	935DC32	Screw (N6)	4
02	935DC02	Cone Muffer	1	32-1	935DC32-1	Screw (C6,S6)	4
03	935DC03	Muffer Body	1	33	935DC33	Faceplate	1
04	935DC04	Screw	1	34	935DC34	Dustproof Washer	1
04-1	935DC04-1	Screw (N6)	1	35	935DC35	Gear	1
05	935DC05	O-Ring (3.5x1.4)	1	36	935DC36	Screw(M3x10)	4
06	935DC06	Valve Stem	1	37	935DC37	Gear Link	1
07	935DC07	Bushing	1	38	935DC38	Washer	1
08	935DC08	Washer	1	39	935DC39	Dustproof Washer	1
✳ 09	935DC09	Valve	1	40	935DC40	Gear Seat	1
10	935DC10	Spring	1	41	935DC41	Screw	4
11	935DC11	Packing	1	42	935DC42	Bushing	1
12	935DC12	Housing Back Seat (C,S)	1	43	935DC43	Balancer 6"	1
12-1	935DC12-1	Housing Back Seat (N)	1	44	935DC44	Pin (2x10)	1
13	935DC13	O-Ring	2	45	935DC45	Screw	1
14	935DC14	Regulator	1	46	935DC46	Exhaust Sleeve (N6)	1
15	935DC15	Snap Ring	1	47	935DC47	Shroud (N6)	1
16	935DC16	Lever	1	48	935DC48	Shroud (S6,C6)	1
17	935DC17	Pin(3x24l)	1	49	935DC49	Pad (N6)	1
18	935DC18	Air Inlet	1		935DC49A	Pad (C6,S6)	1
20	935DC20	Snap Ring	1	50	935DC50	Screw	6
✳ 21	B6000ZZ	Bearing (6000ZZ)	3	51	935DC51	Handle	1
✳ 22	935DC22	Rear Plate	1	52	935DC52	Screw+Washer	2
✳ 23	935DC23	Rotor Blade	8	53	935DC53	Pin (3x12L)	1
✳ 24	935DC24	Rotor	1	54	935DC54	Pin (3*8)	1
✳ 25	935DC25	Cylinder	1	55	935DC55	O-Ring (AS031)	1
✳ 26	935DC26	O-Ring	1	56	935DC56	Washer	1
✳ 27	935DC27	Front Plate	1	57	935DC57	Washer	1
✳ 28	B6002ZZ	Bearing (6002ZZ)	1	58	935DC58	Washer	1
29	935DC29	Rotor Key	1	59	935DC59	Silencer	2
30	935DC30	Motor Shaft Balancer	1	60	935DC60	Stainless Mesh	2
31	935DC31	Housing Cover (N6)	1	61	935DC61	Rubber Hose & Bag (S6)	1
31-1	935DC31-1	Housing Cover (C6,S6)	1	62	935DC62	Hex (3mm)	1

✳ If you need to order parts, please mark both **Parts No.** and **Description.** 2010/7/22

<http://www.gison.com>