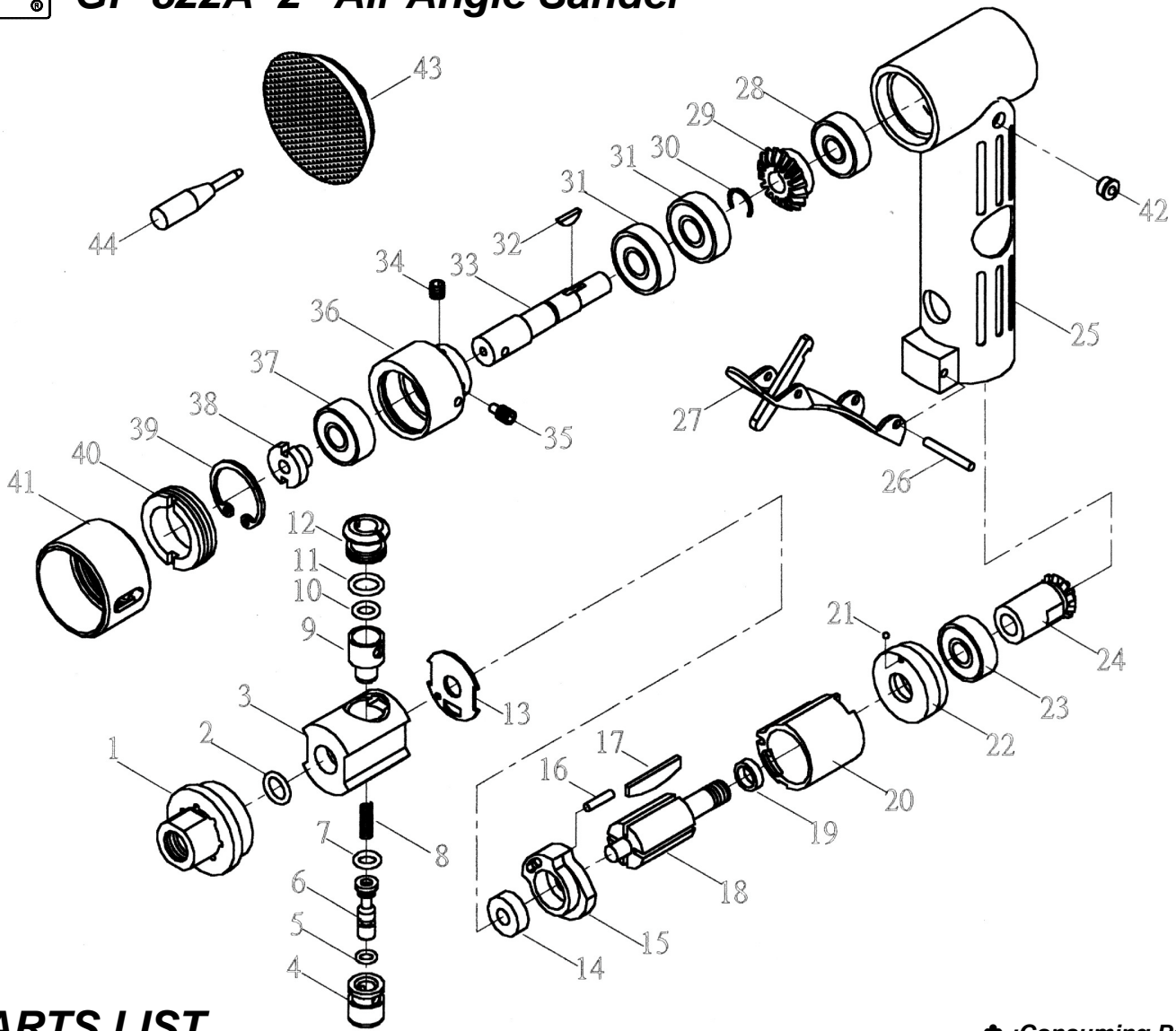




GISON Pneumatic Tools

GP-822A 2" Air Angle Sander



PARTS LIST

✳ :Consuming Part

Item No.	Part No.	Description	Qty.	Item No.	Part No.	Description	Qty.
1	822A01	Retainer	1	23	822A23	Ball Bearing	1
2	822A02	O-Ring	1	24	822A24	Bevel Gear	1
3	822A03	Valve Housing	1	25	822A25	Housing	1
4	822A04	Bush	1	26	822A26	Spring Pin	1
5	822A05	O-Ring	1	27	822A27	Control Lever	1
6	822A06	Valve	1	28	822A28	Ball Bearing	1
7	822A07	O-Ring	1	29	822A29	Bevel Gear	1
8	822A08	Spring	1	30	822A30	Stop Ring	1
9	822A09	Speed	1	31	822A31	Ball Bearing	1
10	822A10	O-Ring	1	32	822A32	Key	1
11	822A11	O-Ring	1	33	822A33	Chuck Casing	1
12	822A12	Nut	1	34	822A34	Screw	1
13	822A13	Packing	1	35	822A35	Screw	1
14	822A14	Ball Bearing	1	36	822A36	Random Balance Body	1
15	822A15	Rear End Plate	1	37	822A37	Ball Bearing	1
16	822A16	Spring Pin	1	38	822A38	Nut	1
17	822A17	Rotor Blade	4	39	822A39	Stop Ring	1
18	822A18	Rotor	1	40	822A40	Retainer	1
19	822A19	Washer	1	41	822A41	Guard	1
20	822A20	Cylinder	1	42	822A42	Oil Cap	1
21	822A21	Ball	1	43	822A43	PU Pad	1
22	822A22	Front Plate	1	44	822A44	Key	1