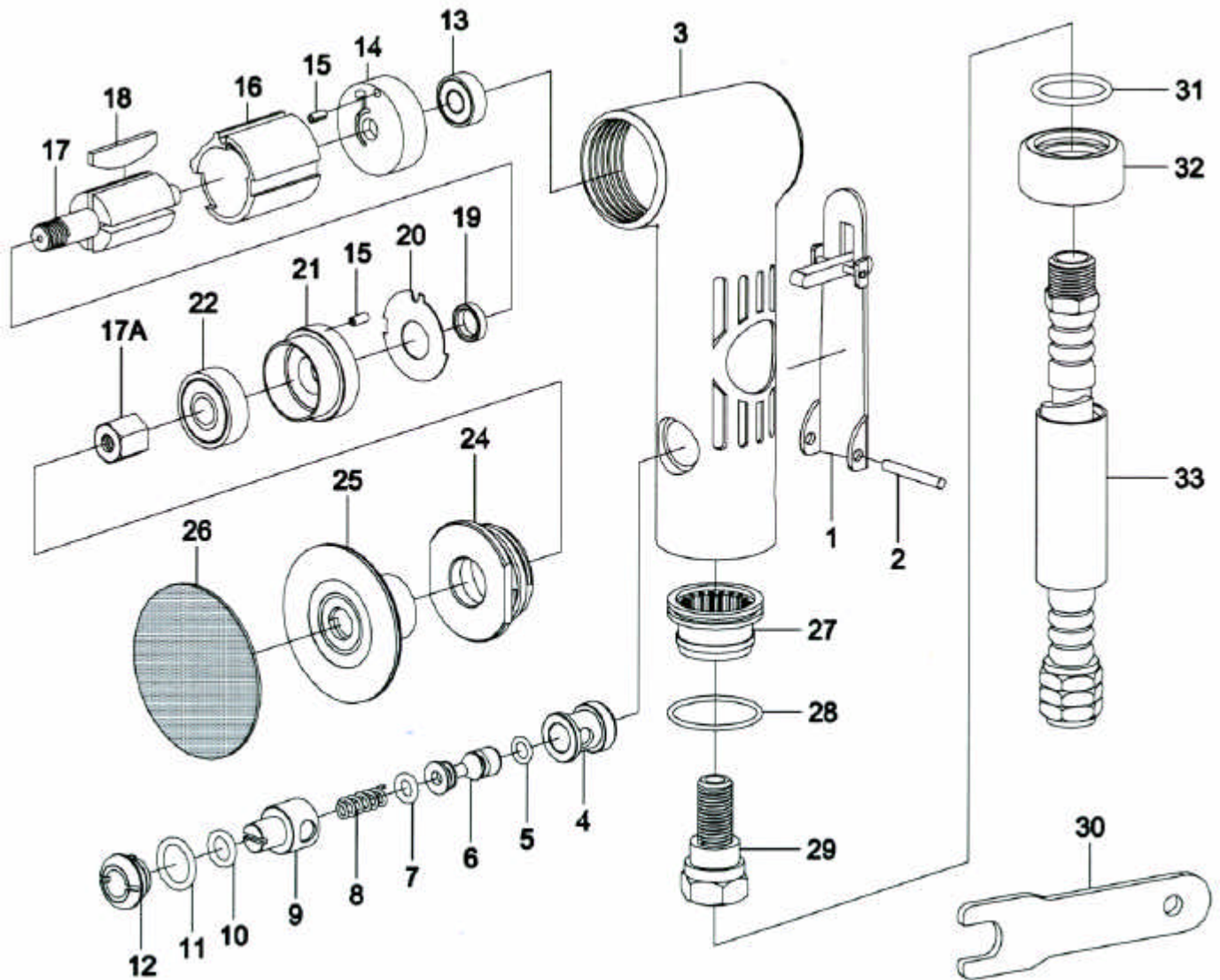


# GISON Pneumatic Tools

**GP-824CF 2" Air Angle Sander 110 degree(W/hose,no Gear)**



## PARTS LIST

✧ :Consuming Part

| Item No. | Part No. | Description    | Qty. | Item No. | Part No. | Description     | Qty. |
|----------|----------|----------------|------|----------|----------|-----------------|------|
| 1        | 824CF01  | Throttle Lever | 1    | 17A      | 824CF17A | Hex Nut         | 1    |
| 2        | 824CF02  | Spring Pin     | 1    | 18       | 824CF18  | Blade           | 4    |
| 3        | 824CF03  | Housing        | 1    | 19       | 824CF19  | Collar          | 1    |
| 4        | 824CF04  | Valve Bushing  | 1    | 20       | 824CF20  | Steel Plate     | 1    |
| 5        | 824CF05  | O-Ring         | 1    | 21       | 824CF21  | Front Plate     | 1    |
| 6        | 824CF06  | Valve Stem     | 1    | 22       | 824CF22  | Bearing         | 1    |
| 7        | 824CF07  | O-Ring         | 1    | 24       | 824CF24  | Lock Ring       | 1    |
| 8        | 824CF08  | Valve Spring   | 1    | 25       | 824CF25  | Disc Holder     | 1    |
| 9        | 824CF09  | Air Controller | 1    | 26       | 824CF26  | Sanding Disc    | 1    |
| 10       | 824CF10  | O-Ring         | 1    | 27       | 824CF27  | Exhaust Sleeve  | 1    |
| 11       | 824CF11  | O-Ring         | 1    | 28       | 824CF28  | O-Ring          | 1    |
| 12       | 824CF12  | Valve Screw    | 1    | 29       | 824CF29  | Air Inlet       | 1    |
| 13       | 824CF13  | Bearing        | 1    | 30       | 824CF30  | Wrench (11mm)   | 1    |
| 14       | 824CF14  | End Plate      | 1    | 31       | 824CF31  | O-Ring          | 1    |
| 15       | 824CF15  | Pin            | 2    | 32       | 824CF32  | Clamp Ring      | 1    |
| 16       | 824CF16  | Cylinder       | 1    | 33       | 824CF33  | Air Hose Asst'Y | 1    |
| 17       | 824CF17  | Rotor          | 1    |          |          |                 |      |