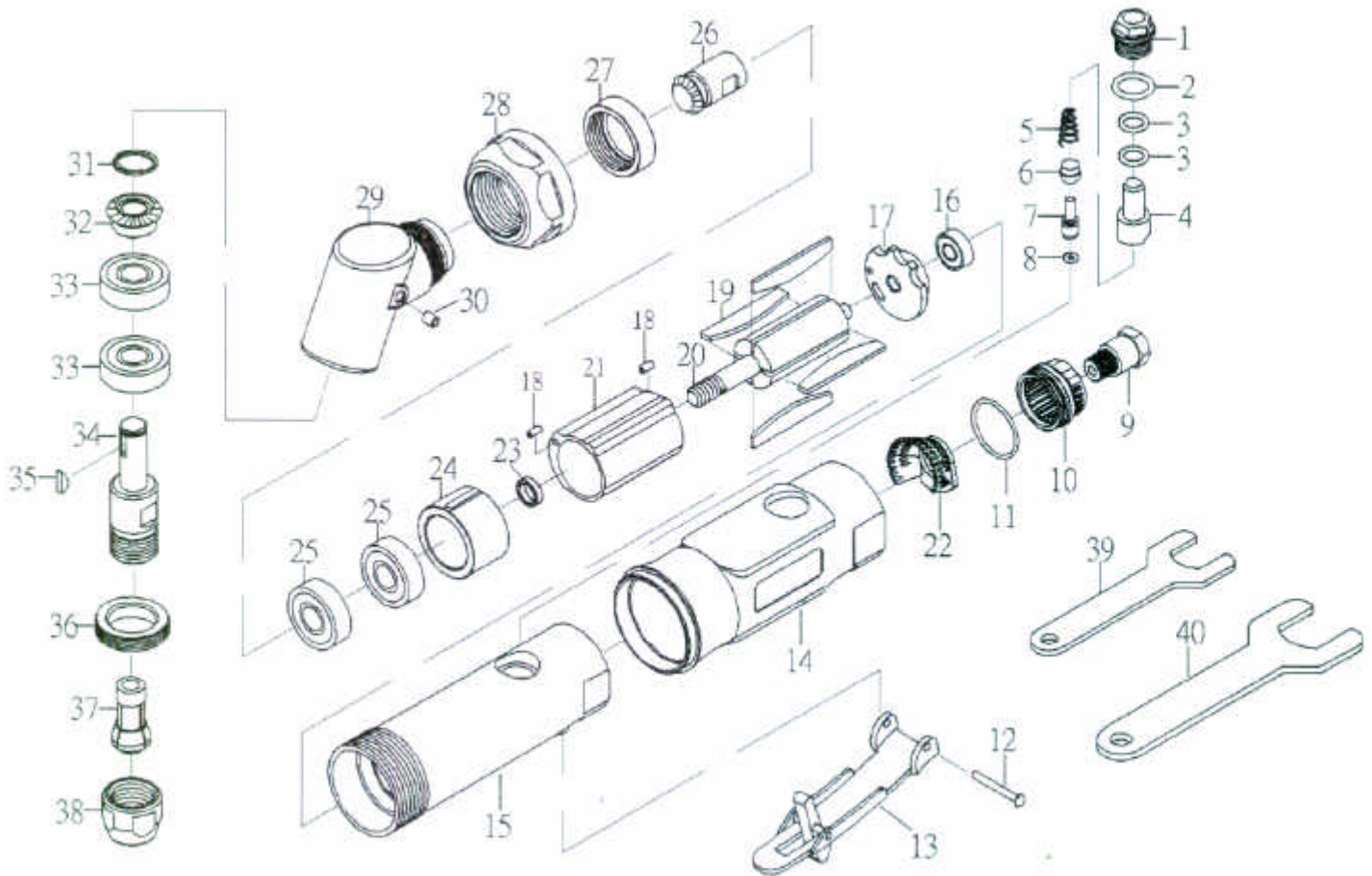




GISON Pneumatic Tools

GP-824STA2 115 degree Air Angle Die Grinder



PARTS LIST

★ :Consuming Part

Item No.	Part No.	Description	Qty.	Item No.	Part No.	Description	Qty.
1	824STA201	Screw	1	21	824STA221	Cylinder	1
2	824STA202	O-Ring (P12)	1	22	824STA222	Cone Muffler	1
3	824STA203	O-Ring (P8)	2	23	824STA223	Bearing Spacer	1
4	824STA204	Air Regulator	1	24	824STA224	Front Plate	1
5	824STA205	Spring	1	25	824STA225	Bearing (608ZZ)	2
6	824STA206	Valve Stem Bushing	1	26	824STA226	Bevel Gear (18T)	1
7	824STA207	Valve Stem	1	27	824STA227	Nut	1
8	824STA208	O-Ring (3.5*1.4)	1	28	824STA228	Clamp Nut	1
9	824STA209	Air Inlet	1	29	824STA229	Angle Housing	1
10	824STA210	Exhaust Sleeve	1	30	824STA230	Oil Cup	1
11	824STA211	O-Ring (26.7*1.78)	1	31	824STA231	Snap Ring	1
12	824STA212	Spring Pin	1	32	824STA232	Bevel Gear (20T)	1
13	824STA213	Lever	1	33	824STA233	Bearing (609ZZ)	2
14	824STA214	Protecting Rubber	1	34	824STA234	Shaft	1
15	824STA215	Housing	1	35	824STA235	Key	1
16	824STA216	Bearing (696ZZ)	1	36	824STA236	Climap Nut	1
17	824STA217	Rear Plate	1	37	824STA237	Collet	1
18	824STA218	Pin (2.5*6L)	2	38	824STA238	Collet Nut	1
19	824STA219	Rotor Blade	4	39	824STA239	Stop Spanner (14mm)	1
20	824STA220	Rotor	1	40	824STA240	Stop Spanner (19mm)	1

If you need to order parts, please mark both **Parts No.** and **Description.**

2010/3/23