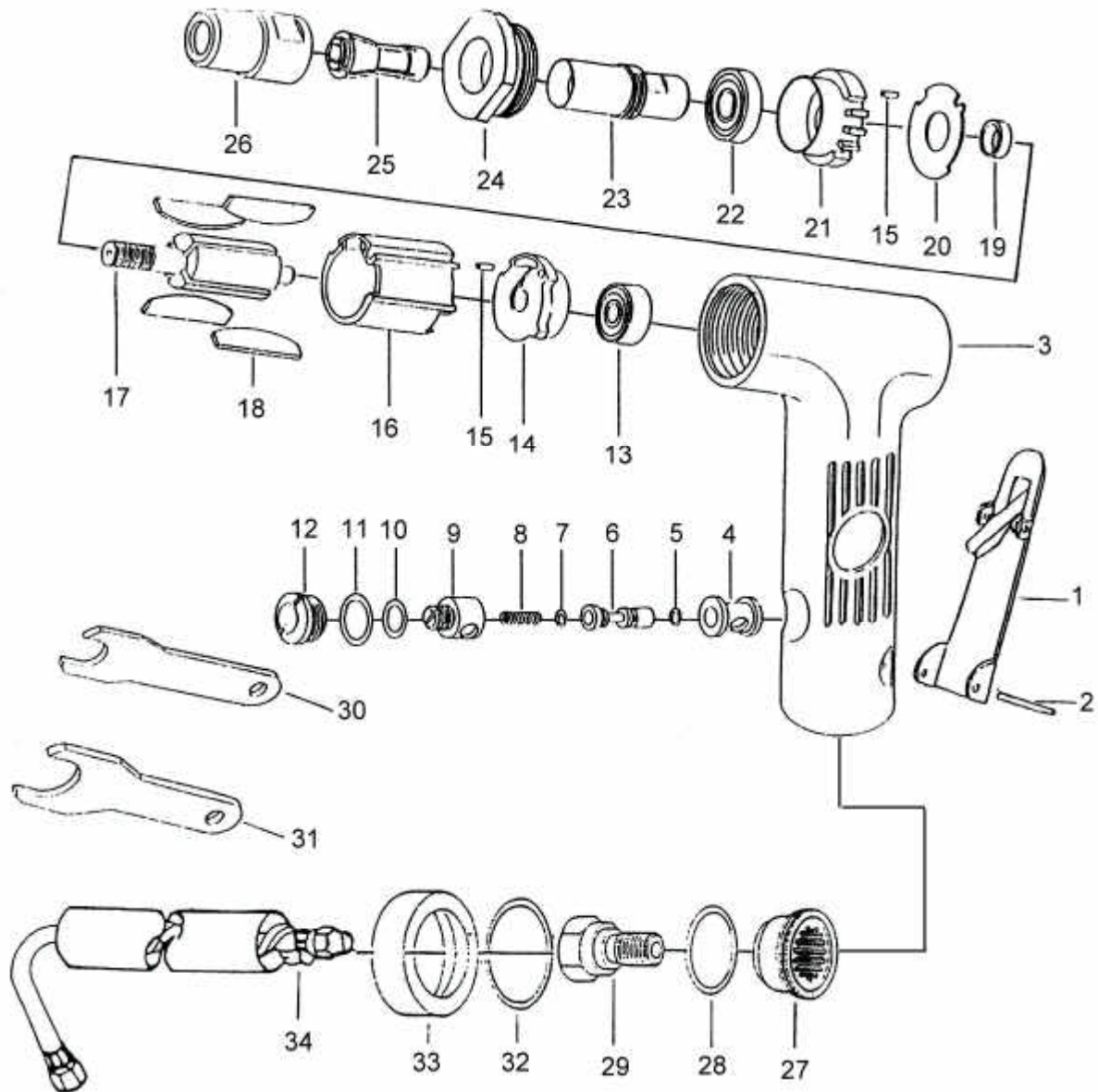




GISON Pneumatic Tools

GP-824CA Air Angle Die Grinder (no Gear)



PARTS LIST

✳ : Consuming Part

Item No.	Part No.	Description	Qty.	Item No.	Part No.	Description	Qty.
1	824CA01	Thrott Lever	1	18	824CA18	Blade	4
2	824CA02	Spring Pin	1	19	824CA19	Collar	1
3	824CA03	Housing	1	20	824CA20	Steel Plate	1
4	824CA04	Valve Bushing	1	21	824CA21	Front Plats	1
5	824CA05	O-Ring	1	22	824CA22	Bearing	1
6	824CA06	Valve Stem	1	23	824CA23	Spindle	1
7	824CA07	O-Ring	1	24	824CA24	Lock Ring	1
8	824CA08	Valve Spring	1	25	824CA25	Collet	1
9	824CA09	Air Controller	1	26	824CA26	Collet Nut	1
10	824CA10	O-Ring	1	27	824CA27	Exhaust Sleeve	1
11	824CA11	O-Ring	1	28	824CA28	O-Ring	1
12	824CA12	Valve Screw	1	29	824CA29	Air Inlet	1
13	824CA13	Bearing	1	30	824CA30	Wrench (11mm)	1
14	824CA14	End Plate	1	31	824CA31	Wrench (17mm)	1
15	824CA15	Pin	2	32	824CA32	O-Ring	1
16	824CA16	Cylinder	1	33	824CA33	Clamp Ring	1
17	824CA17	Rotor	1	34	824CA34	Air Hose Ass'Y	1