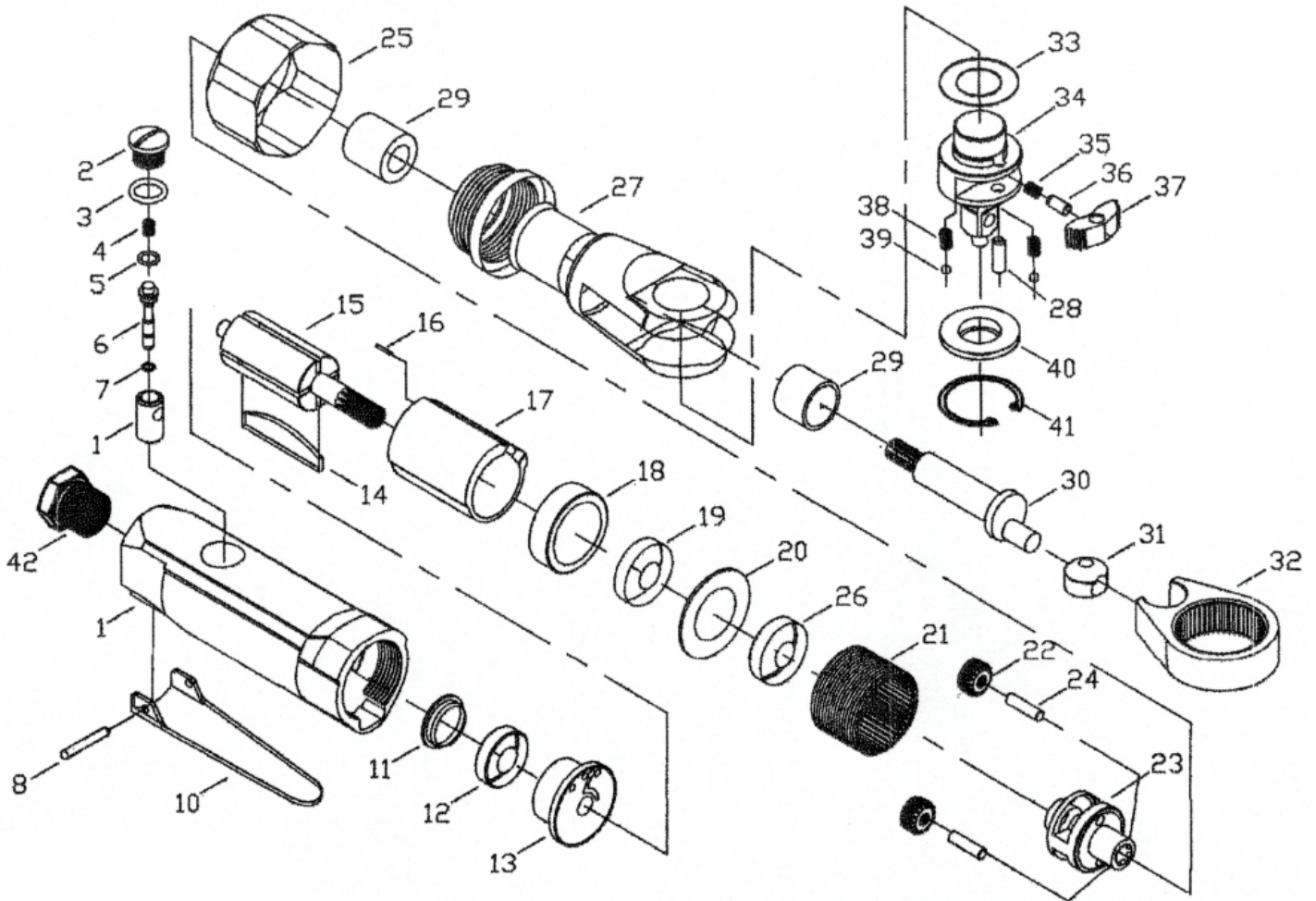




GISON Pneumatic Tools

GP-855Q/856Q 3/8"/1/2" Quick Change Ratchet Wrench



PARTS LIST

✧ :Consuming Part

Item No.	Part No.	Description	Qty.	Item No.	Part No.	Description	Qty.
01	855Q01-1	Housing	1	23	855Q23	Idler Gear Plate	1
	855Q01-2	Throttle Valve		24	855Q24	Idler Gear Pin	2
02	855Q02	Valve Plug	1	25	855Q25	Clamp Nut	1
03	855Q03	O-Ring	1	26	855Q26	Bearing	1
04	855Q04	Spring	1	27	855Q27	Ratchet Housing	1
05	855Q05	O-Ring	1	28	855Q28	Pin	1
06	855Q06	Roll Pin	1	29	855Q29	Needle Bearing	2
07	855Q07	O-Ring	1	30	855Q30	Crank Shaft	1
08	855Q08	Spring Pin	1	31	855Q31	Drive Bushing	1
10	855Q10	Throttle Level	1	32	855Q32	Ratchet Yoke	1
11	855Q11	End Plate Cap	1	33	855Q33	Washer	1
12	855Q12	Rear Bearing	1	34	855Q34-1	Ratchet Anvil (3/8"Quick Change)	1
13	855Q13	Rear Plate	1		855Q34-2	Ratchet Anvil (1/2"Quick Change)	
14	855Q14	Rotor Blade	4	35	855Q35	Spring	1
15	855Q15	Rotor	1	36	855Q36	Lock Pin	1
16	855Q16	Cylinder Pin	1	37	855Q37	Ratchet Pawl	1
17	855Q17	Cylinder	1	38	855Q38	Spring	2
18	855Q18	Front Plate	1	39	855Q39	Steel Ball	2
19	855Q19	Front Bearing	1	40	855Q40	Thrust Washer (1/2")(3/8")	1
20	855Q20	Washer	1	41	855Q41	Retainer Ring	1
21	855Q21	Thread Ring Gear	1	42	855Q42	Connection Head	1
22	855Q22	Idler Gear	2				