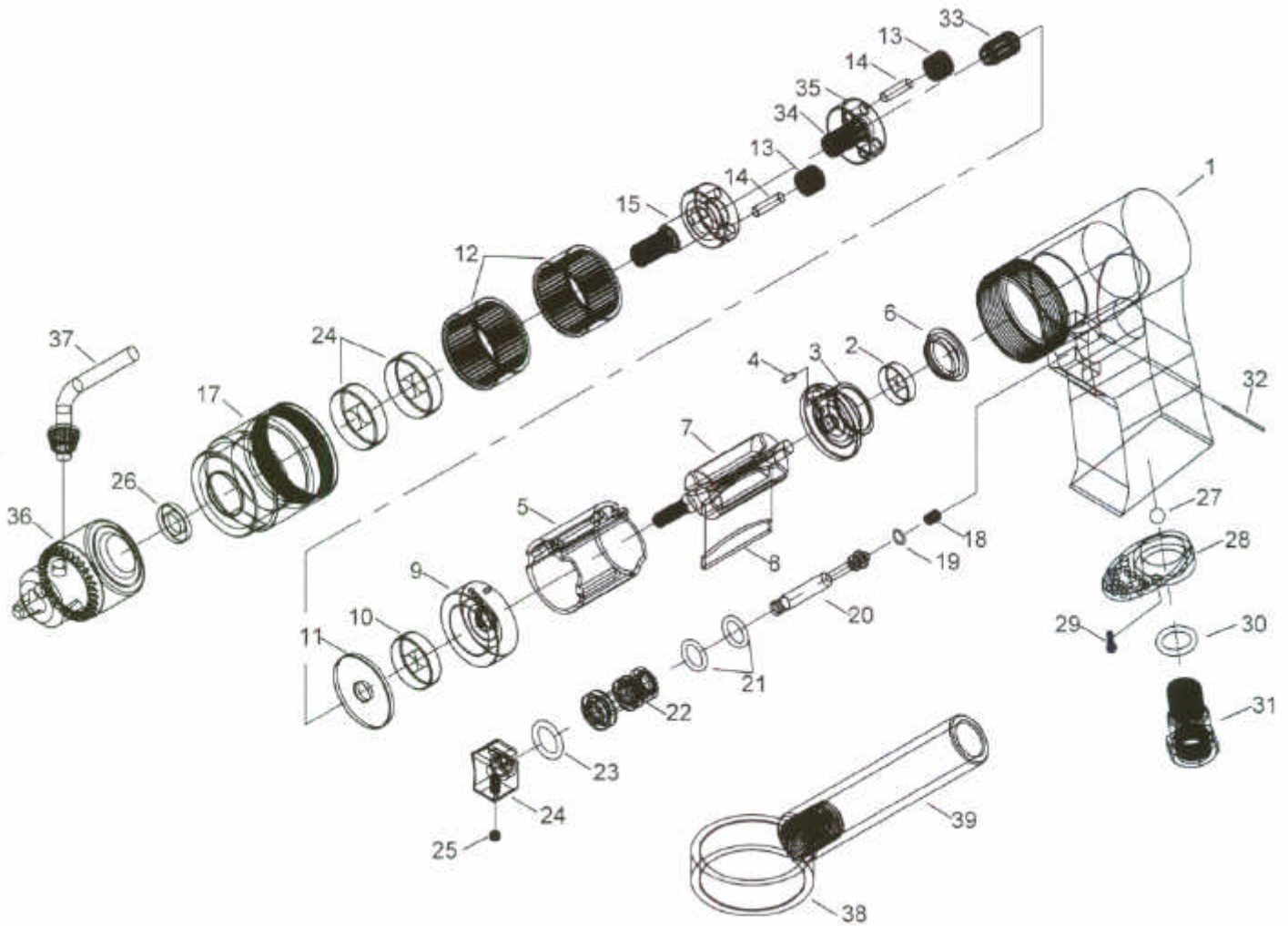




GISON Pneumatic Tools

GP-836C 1/2" Hi-torque Air Drill



PARTS LIST

✳ : Consuming Part

Item No.	Part No.	Description	Qty.	Item No.	Part No.	Description	Qty.
1	836C01	Housing	1	21	836C21	O-Ring	2
2	836C02	Ball Bearing	1	22	836C22	Valve Body	1
3	836C03	Rear End Plate	1	23	836C23	O-Ring	1
4	836C04	Pin	1	24	836C24	Trigger	1
5	836C05	Cylinder	1	25	836C25	Set Screw	1
6	836C06	End Plate Cap	1	26	836C26	Washer	1
7	836C07	Rotor	1	27	836C27	Steel Ball	1
8	836C08	Rotor Blades	5	28	836C28	Exhaust Diffuser	1
9	836C09	Front Plate	1	29	836C29	Screw	2
10	836C10	Ball Bearing	1	30	836C30	O-Ring	1
11	836C11	Washer	1	31	836C31	Air Inlet	1
12	836C12	Gear Link (1/2")	2	32	836C32	Spring Pin	1
13	836C13	Planet Gear (1/2")	6	33	836C33	Gear (1/2")	1
14	836C14	Pin	6	34	836C34	Gear (1/2")	1
15	836C15	Planet Gear Spindle (1/2")	1	35	836C35	Gear Plate (1/2")	1
16	836C16	Ball Bearing	2	36	836C36	Drill Chuck (1/2")	1
17	836C17	Clamp Nut (1/2")	1	37	836C37	Chuck Key	1
18	836C18	Spring	1	38	836C38	Ring Hand	1
19	836C19	O-Ring	1	39	836C39	Hand Grip	1
20	836C20	Valve Throttle	1				